

Installation Manual

For AC electric thruster model
SAC700



Warnings and Safety	3
Responsibility of the Installer	3
Product dimensions	4
Dimensions PDC	5
Dimensions VFD	5
Product Specifications	6
Positioning of the tunnel / thruster	7
Tunnel Length	8
Tunnel installation in Sailboats	9
Water Deflection	10
Tunnel ends	11
Tunnel installation	12 - 13
Gearleg & Motor Bracket Installation	14
Propeller installation	17
Motor support horizontal installation	18
Motor dimensions	19
Motor installation	20
Oil tank installation	22
Electrical diagrams	23
Power cable dimension	31
PDC 301	32
Startup and comissioning	33
Functions and operation	33
S-link system description	34
Control panel cable installation	35
Control panel installation	36
Checklist for AC thrusters	37
Service and Support	38
Product Spare Parts and Additional Resources	38
Patents	38
Warranty Statement	39
Sleipner Group Waste disposal and recycling guide	40

It is essential to follow all instructions within this document to avoid potential personal injury, death, or damage to existing products in the vessel, the vessel's hull integrity, and including this product during installation or operation. Failure to follow instructions within this document will render all warranties given by Sleipner Motor as VOID.

Warnings and situations requiring extra caution are outlined in the documentation. Take extra consideration when warnings are outlined.



WARNING

Indicates a potentially hazardous situation which, if not avoided, could result in death or serious injury.



CAUTION

Indicates a potentially hazardous situation which, if not avoided, could result in minor or moderate injury or damage to the product.

MC_0800

Responsibility of the installer

General:

- The installer must read this document to ensure necessary familiarity with the product before installation.
- Directions outlined in this document cannot be guaranteed to comply with all international and national regulations, including but not limited to health and safety procedures. It is the installers responsibility to adhere to all applicable international and national regulations when installing Sleipner products.
- This document contains general installation guidelines intended to support experienced installers. Contact professional installers familiar with the vessel, Sleipner products and applicable regulations if assistance is required.
- If local regulation requires any electrical work to be performed by a licensed professional, seek a licensed professional.
- When planning the installation of Sleipner products, ensure easy access to the products for future service and inspection requirements.

MC_0038

For Sleipner thruster systems:

- Do not install the thruster system in any position that requires modification of hull stiffeners or stringers. This might jeopardize the hull integrity. Consult with the boat builder to see if this can be done safely if absolutely necessary.
- Never run the thruster out of water. The propeller will reach extremely high speed, damaging the thruster.
- The thruster motor must be handled with care. Do not rest the motor on its drive shaft, as its weight can damage it.

MC_0425

For on-board electric motor driven systems:

- Ensure motors installed in small compartments are dry and well-ventilated to allow the electric motor to cool.
- The electric motor, components, and cables must be mounted to remain dry.
- The electric motor can reach over 100°C before activating the temperature switch. Any loose items near the thruster motor are a potential fire hazard and can cause short-circuiting.
- The thruster power supply circuit must include the recommended sized fuse and a battery isolation switch.
- Avoid running cables near any heat sources since this might damage the insulation. Broken insulation could potentially lead to hazards and damage products.

MC_0031

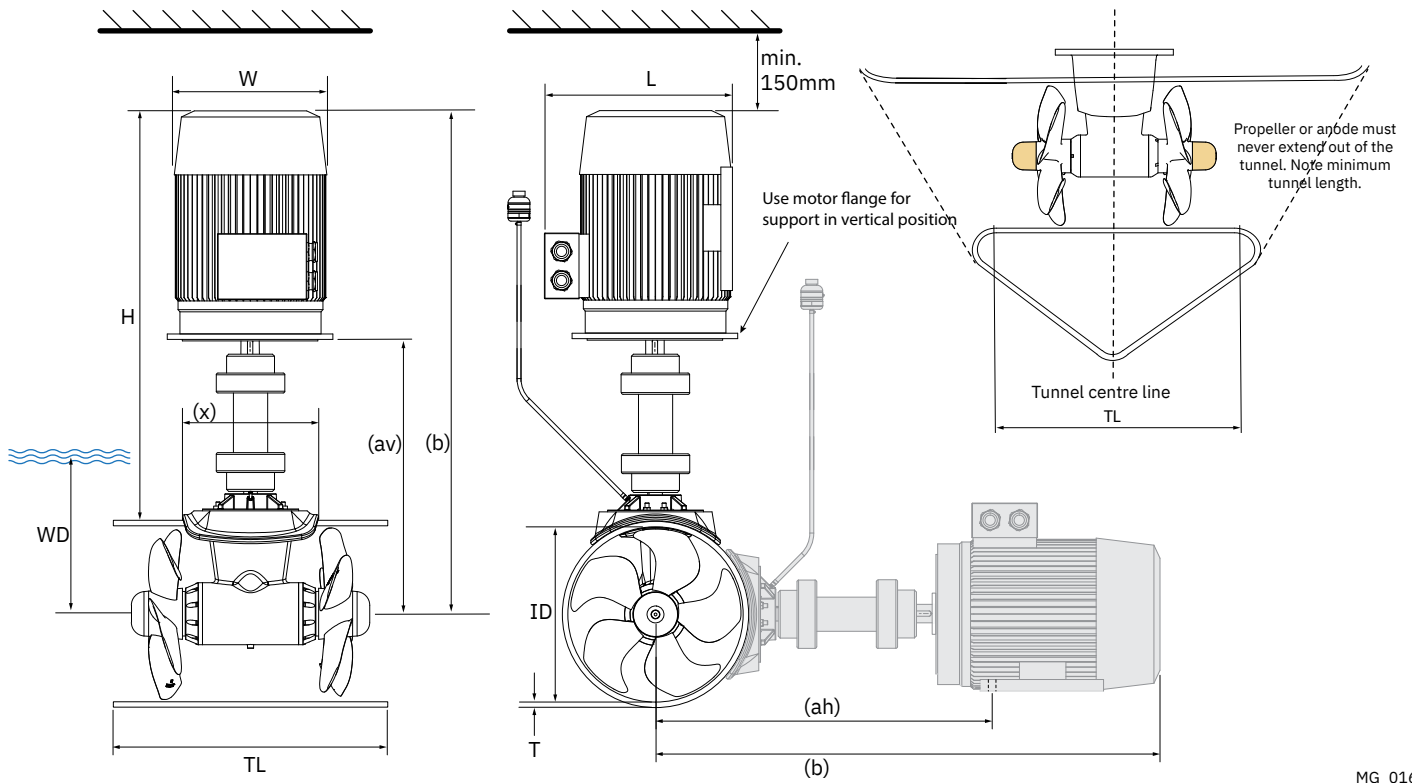
For Sleipner S-Link™ systems:

- Only Sleipner S-Link™ products or authorized 3rd party control equipment can be directly connected to the S-Link™ bus. Non-authorized 3rd party equipment must always be connected through a Sleipner interface product.
- Any attempt to connect to the S-Link™ bus without an authorized 3rd party control equipment will void all warranties for the connected Sleipner products.
- If 3rd party control equipment is interfaced the S-Link™ bus through a Sleipner interface product, it is required to install at least one Sleipner control panel to enable efficient troubleshooting.

MC_0105

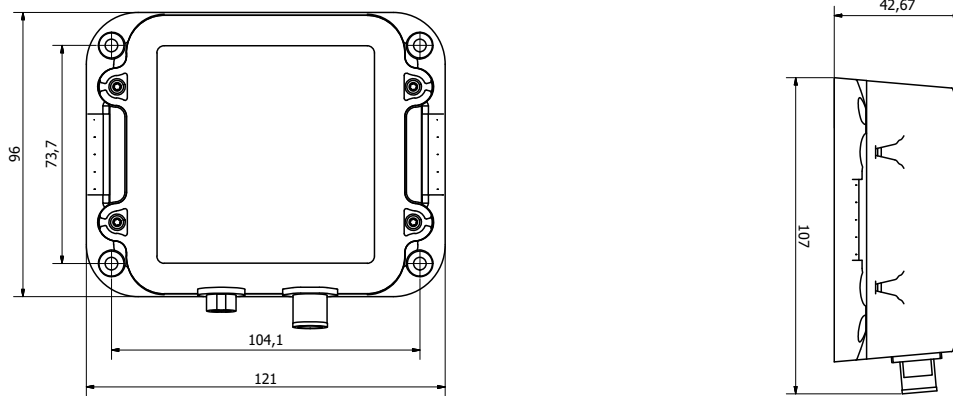
Measurement code	Measurement description	SAC700	
		mm	inch
ID	Internal tunnel diameter	412	16.2
T (min)	Tunnel thickness min.	12	.5
T (max)	Tunnel thickness max.	16	.6
TL	Minimum tunnel length	550	21.7
TL (recommended)	Recommended tunnel length	800	31.5
WD	Recommended water depth.	700	27.5
WD (minimum)	Minimum water depth.	620	24.4
H	Motor Height	964	38
W		356	14
L		439	17.3
(av) Vertical	Gear center to the motor flange	651	25.6
(ah) Horizontal	Gear center to the first mounting point	770	30.3
(b)	Distance from the center of the gear to the motor top	1237	49
(x)	Tunnel bracket length	332	13.0
Weight assembly (kg/lbs)		215/474	
Weight motor (kg/lbs)		148/326	

MC_0323



MG_0163

For detailed support flange and foot dimensions, see section "Supporting the thruster".



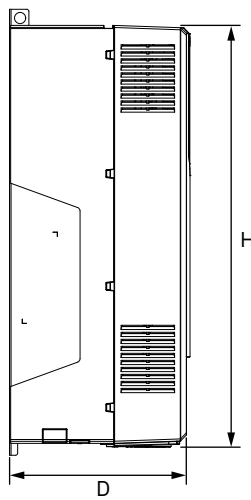
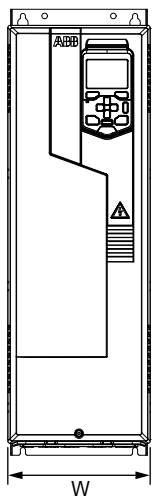
MC_0155N

Dimensions VFD

Thruster model	VFD Model	Frame size	Voltage range V AC	IP	Weight kg	D mm	W mm	H mm
SAC700/412-C-2-H(V)	ACS580-01-171A-2	R7	208-240	21	54	370	284	880
SAC700/412-C-2-H(V)-55	ACS880-01-170A-2	R7	208-240	55	54	423	284	880
SAC700/412-C-4-H(V)	ACS580-01-106A-4	R5	380-480	21	28.3	295	203	732
SAC700/412-C-4-H(V)-55	ACS880-01-096A-5	R6	380-500	55	42.9	421	251	726
SAC700/412-C-4L-H(V)	ACS880-31-101A-5	R8	380-500	55	109	496	300	966

MC_0729

- H horizontal
- V vertical
- 2 for 230V models
- 4 for 400V models
- 4L for 400V low harmonic models
- C operation mode
- I operation mode. See specification table
- SAC700/412 thruster model
 - 412 tunnel diameter
 - 700 thrust value



MG_0663

	SAC700/412-C
Performance & sizing	
Tunnel inside diameter (mm • in)	412 • 16.2
Thrust, continuous (kg • lbs)	700 • 1543
Thrust, max. (kg • lbs) *	-
Motor output (kW • Hp)**	42 • 57
Typical boat size (m • ft)	29-44 • 95-145
Voltage range, 3-Phase supply	See VFD table
Current draw max: ***	
230V Systems:	159A
400V Systems:	92A
Generator load max:****	55 kVA
Features	
DNV-GL type approved gear leg	Yes
Proportional speed	Yes
Propulsion system	Twin Counter
Lubrication	Gravity feed
Galvanic separation (Optional galvanic separation kit)	No

MC_1165

*) Max thrust is available until the motor winding temperature exceeds 130°C and the dynamic thrust limitation gradually decrease the thrust to continuous rated performance.

***) Motor output @ 230/400V supply. Actual value may vary depending on supply voltage and thruster install.

****) Current draw values are max values set in the VFD parameter setup.

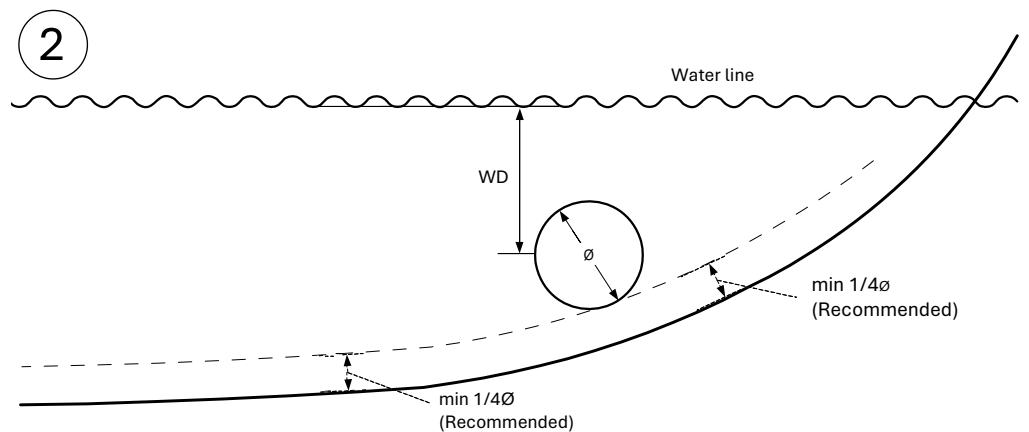
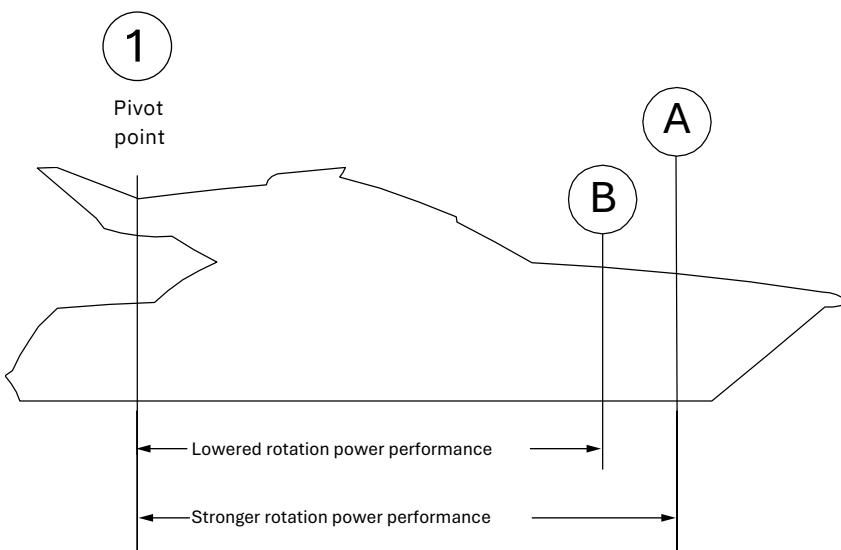
*****) Listed generator load is the maximum load value at standard thruster setup. Note that this value is different from the required generator capacity. Required generator capacity will vary depending on generator characteristics and other loads on the system and have to be selected in cooperation with generator supplier. Side-Power SAC thrusters are in standard version powered by standard Variable Frequency Drives. Low harmonic drives (THD <5%) can be supplied on request. Indicative, recommended generator capacity to be 2 x listed generator load with standard VFD.

1. **Aim to install the thruster as far forward as possible**
 Due to the leverage effect around the boats' pivot point. The distance difference from the boat pivots' point to the thruster will determine the amount of real rotation power for the boat.
2. **Aim to install the thruster as deep as possible.**
 Deeper installations prevent air from being sucked into the tunnel from the surface, resulting in reduced thrust performance and increase noise levels during operation. Deeper installations increase water pressure for maximum efficiency from the thruster.

The tunnel depth is of great importance for optimal thrust. *(Refer to product measurements to define your products recommended depth below the waterline.)* The installer must make evaluations based on thruster performance, boat type and operating conditions. As a general recommendation, the position of the tunnel should not be a minimum of 1/4 of the diameter of the tunnel from the boat keel.

Note: *This can be overlooked depending on the installation methods defined in this manual.*

MC_0003



MG 0001

Optimal tunnel length

Achieving the correct tunnel length depends on many factors from the hull type, operation and environmental conditions. Tunnels should avoid being longer than 4 x the tunnel diameter as this will reduce thruster performance.

Note: *Installing long length tunnels can flex/ bend over time and may require additional support. Consult with a naval architect.*

1. Do not allow the variable length of the tunnel walls to vary in length excessively. EG. The top tunnel wall is x 4 longer than the bottom wall.
2. If the tunnel is too long, the friction inside will reduce the water speed and thereby the thrust.
3. If the tunnel is too short (typically only in the bottom section of the tunnel) cavitation problems can occur as water flow will not be able to “straighten” itself before reaching the propeller. This cavitation will reduce performance and increase noise during operation.

Thruster within the tunnel

It is important the propellers and the lower unit/ gearleg must be entirely inside the thruster tunnel. Propellers that protrude from the tunnel will not perform as intended.

4. Standard Use

Tunnel length must be long enough to ensure the propellers are not extruding the tunnel. *(NB: Refer to product measurements to define your products recommended tunnel length.)*

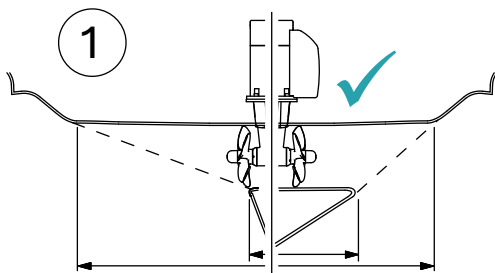
5. Flat Bottom Hull

Tunnel lengths must be longer than the standard measurement outlined within the manual to ensure a circular vacuum is not created between the thruster and the bottom of the boat.

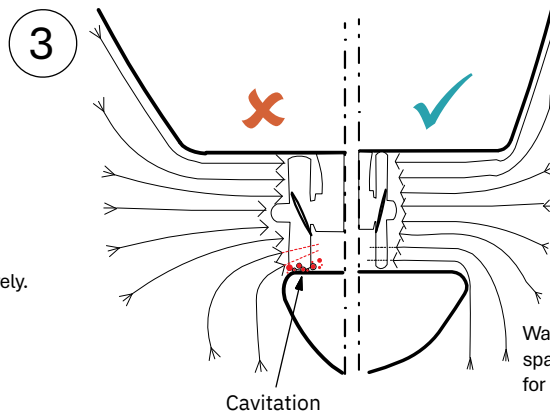
MC_0003

6. High-Speed Boats

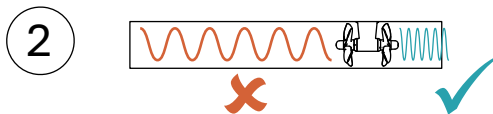
Tunnel lengths must be increased to protect the propeller from damage when crashing against the water surface during high-speed cruising. *(NB: This can include the length of a spoiler)*



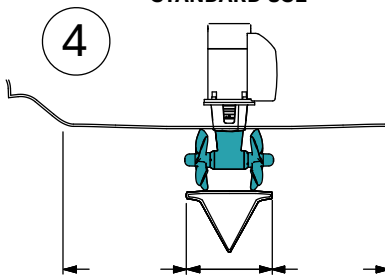
Do not allow the variable length of the tunnel walls to vary in length excessively. EG. the top tunnel wall is x 4 longer than the bottom wall.



Water flow must have space to "straighten" itself for best performance.

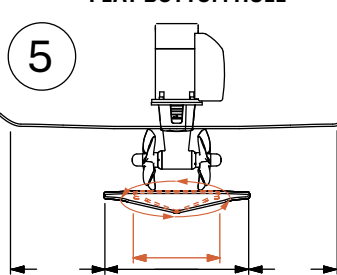


4. STANDARD USE



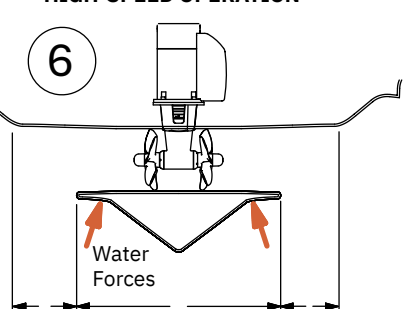
The gearleg/ propeller(s) must never extend out of the tunnel

5. FLAT BOTTOM HULL



Increase tunnel length to prevent a circular water vacuum cavity between the propeller and the hull of the boat.

6. HIGH-SPEED OPERATION



Increase tunnel length to protect the propeller from water forces when high-speed cruising.

MG_0048

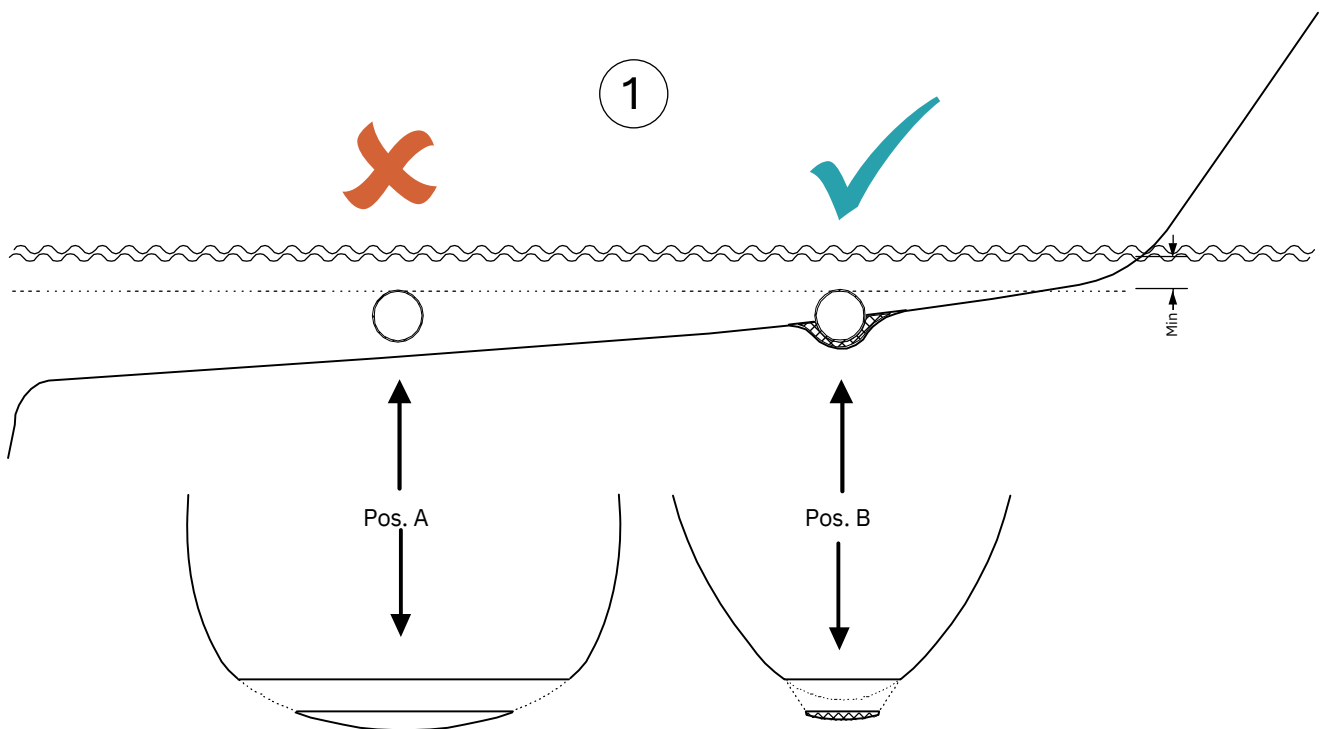
Some sail boats have a flat bottom and shallow draft in the bow section. This can make installing the thruster as far forward from the boats main pivot point difficult.

However, it is possible to install a tunnel thruster in most sail boats, even when the hull does not directly support the fitting of a tunnel.

Instead fit the tunnel halfway into the underneath section of the existing hull. Strengthen it with a deflector/ spoiler directing the water flow around the tunnel. This will allow installation of the thruster in the proper position on the boat, maintaining the reliability and space advantages of the tunnel thruster.

This installation is being used by some of the world's largest sail boat builders and has proven to give little to no speed loss during normal cruising. This can also be an installation method for flat bottomed barges to avoid extremely long tunnels and large oval tunnel openings in the hull.

MC_0003



MG_0004

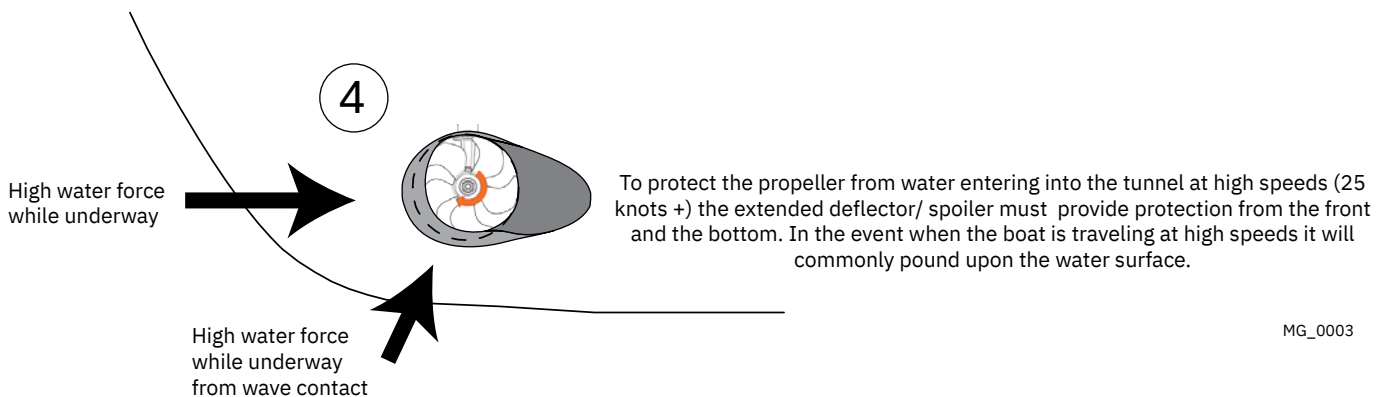
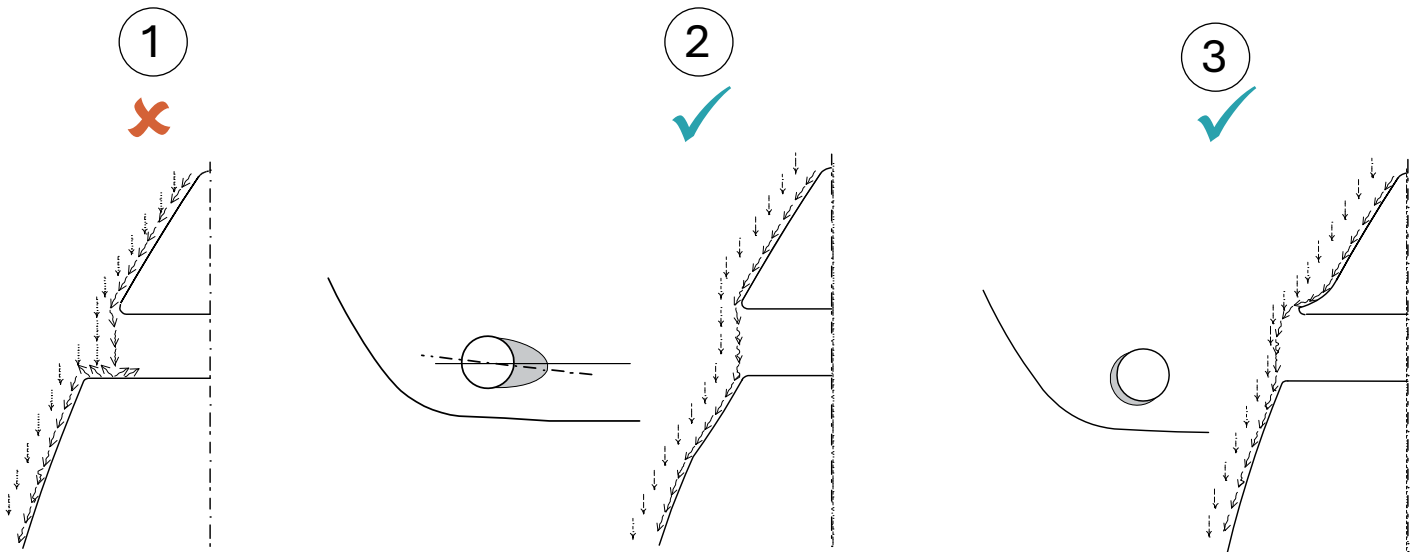
1. A possible problem in sail boats or fast powerboats is that a non-rounded surface can generate drag from the back face of the tunnel, as it creates a “flat” area facing the flow of water.

This problem can be solved in two different ways, depending on what is possible or easier to perform.

2. The best solution which generally reduces the most drag is to make a recess in the hull at the back of the tunnel. As the back face is removed water can flow freely past the tunnel entry. The depth and shape of this recess will depend on the boat and the angle facing up/ down aft of the tunnel insert. Normally it is angled slightly down because of the water flow on this area.
3. Making a deflector/ spoiler in front and underneath the tunnel can also reduce damage to the thruster and drag. The deflector/ spoiler will push the water flow out from the hull so water can pass by the back face of the tunnel. The shape and size of this deflector/ spoiler will depend on the hull shape. The easiest way of making the deflector/ spoiler is to retain a part of the lower forward area of the tunnel while installing the tube. Use this area as support to mould a soft curve/spoiler shape from the hull.
4. The thruster propeller can spin (passively) producing noise while sailing or cruising as water is forced through the tunnel. Water-flow directed through the tunnel at high speeds, during turning or as the boat bumps waves while underway can also damage the thruster.

Note: As a rule, you should not see the back face of the tunnel when standing directly in front of the boat looking aft.

MC_0003



MG_0003

Rounded tunnel ends will maximise thrust and minimise noise and cavitation.

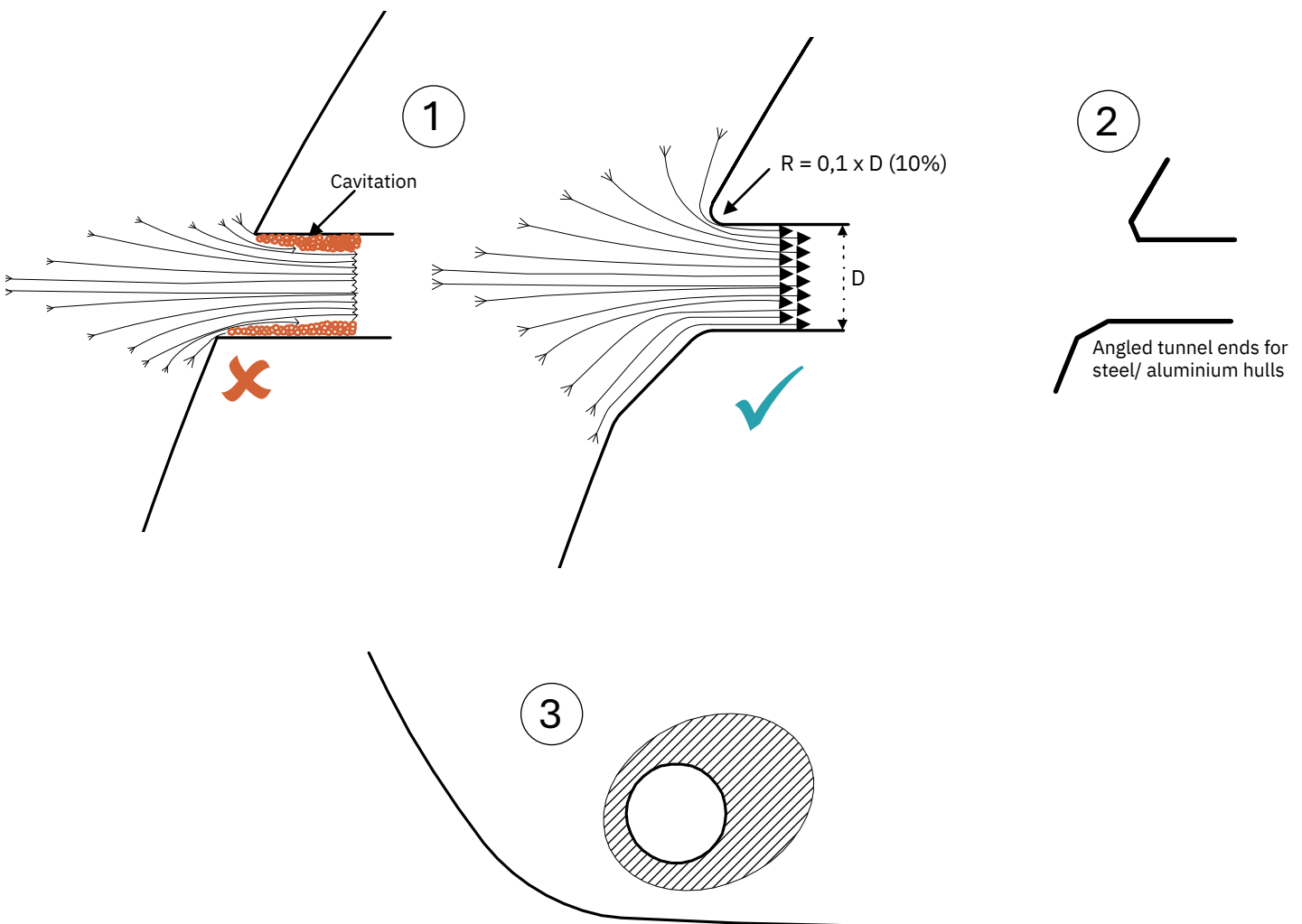
For best performance round the tunnel connection to the hull-side as much as possible. The minimum rounding has a radius of 10% of the diameter of the tunnel.

Significant advantages of a rounded tunnel over a sharp tunnel to hull connections are:

1. A rounded tunnel end will prevent the creation of turbulence/ cavitation created from a sharp tunnel end when water passes by the tunnel.
 - The turbulence/ cavitation will block the outer area of the tunnel and thereby reduces the effective tunnel diameter and thrust.
 - Turbulence/ cavitation on the propeller will lessen the thrusters performance and create excess noise.
2. For steel/ aluminium hulls angled tunnel ends also offer similar performance as a rounded connection.
3. A rounded tunnel end makes the thruster draw water from along the hull-side, creating a vacuum that will suck the boat sideways and thereby give additional thrust.
 - With a sharp tunnel end, the thruster will be unable to take water from along the hull-side, and you will not gain the desired vacuum and additional thrust. This “free” extra thrust in optimal installations be 30 - 40% of the total thrust.

Note: A Sleipner thruster propeller does not produce cavitation at working speed. Therefore, any cavitation and cavitation noise in the tunnel will be caused during improper tunnel installation.

MC_0003



MG_0002

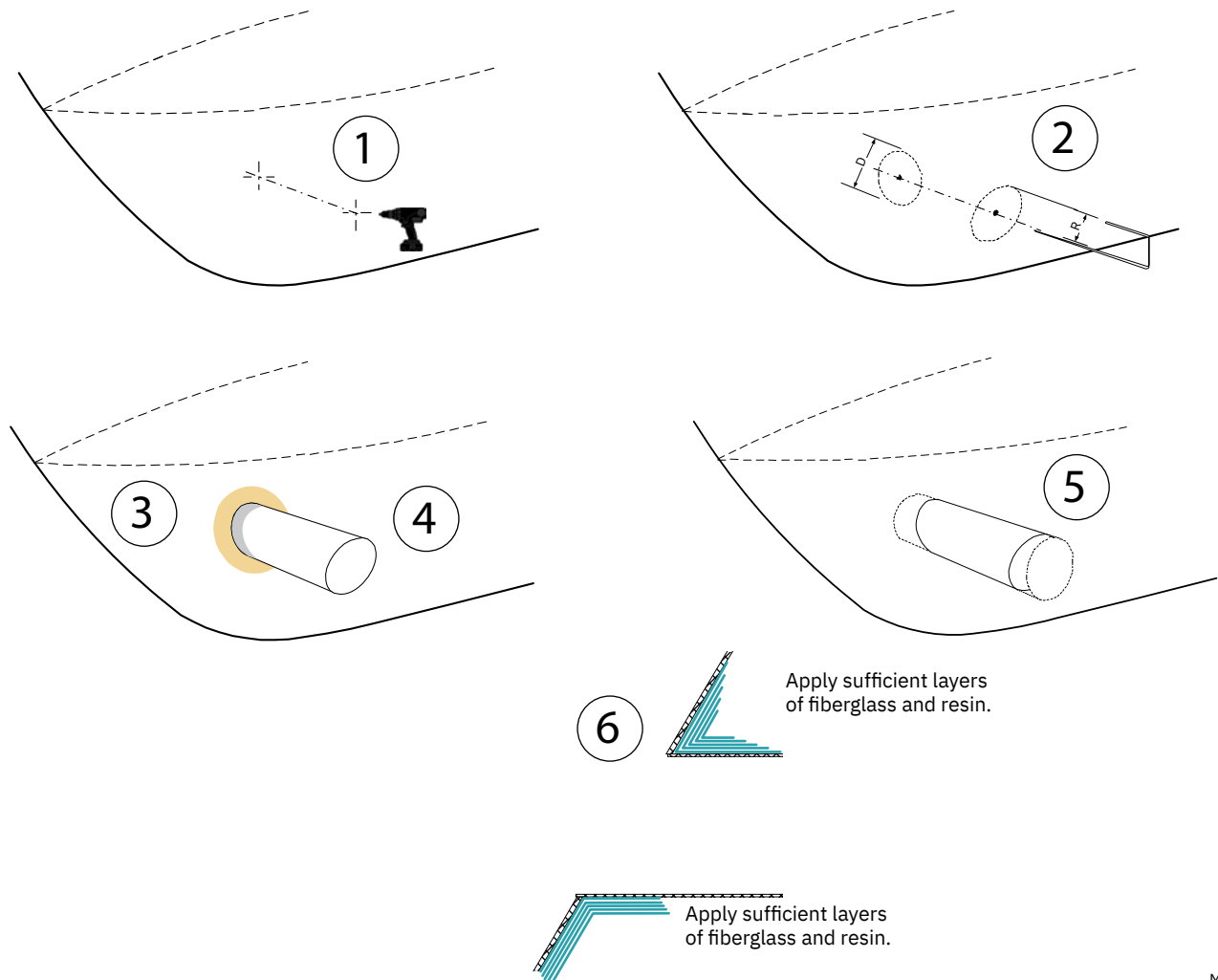
The following are only general instructions and do not explain in any way the details of fibreglass work. Problems caused by faulty installation of the tunnel, are the installers full responsibility. It is recommended to consult a naval architect before modifying the hull.

1. Find the position in the boat considering the information earlier in this manual and the applicable measurements for the thruster model you are installing. Mark the centre of the tunnel on both sides of the hull. Drill a hole horizontally at these marks.
2. Mark the circle for the tunnel opening (outside diameter of the tunnel) and cut the hole. (Special tool available. Contact your dealer or distributor).
3. Grind off the gel coat to the “real fibreglass” in a sufficient area around the hole, on both inside and outside of the hull, to ensure a secure attachment when bonding the tunnel to the hull.
4. Insert the tunnel and mark its shape to fit the hull.
Note: if you are installing with a deflector/ spoiler, leave a part of the tunnel in the front and underside of the tunnel that will cover the back face.
5. Cut the tunnel ends to the desired shape and lightly sand its surface. Clean the area with acetone or similar where you are going to apply fibreglass.
Note: Do not cast or add fibreglass to the area were the thruster will be placed.
6. Cast the tunnel to the inside of the hull, with sufficient layers of fibreglass, type of fibreglass and resin, preferably alternating mat and roving types of fibreglass. To round the tunnel ends to a 10% radius make further layers inside to preserve the desired hull thickness.

Note: These guidelines are for reference only. Consult a naval architect to ensure proper installation.

Note: Ensure gaps between the tunnel and the hull are completely filled with resin/ fibreglass. In areas where you can not access to make layers of resin/ fibreglass, a resin/ fibreglass mixture must be used in that area.

MC_0003



MG_0005

With tunnel installed and cast.

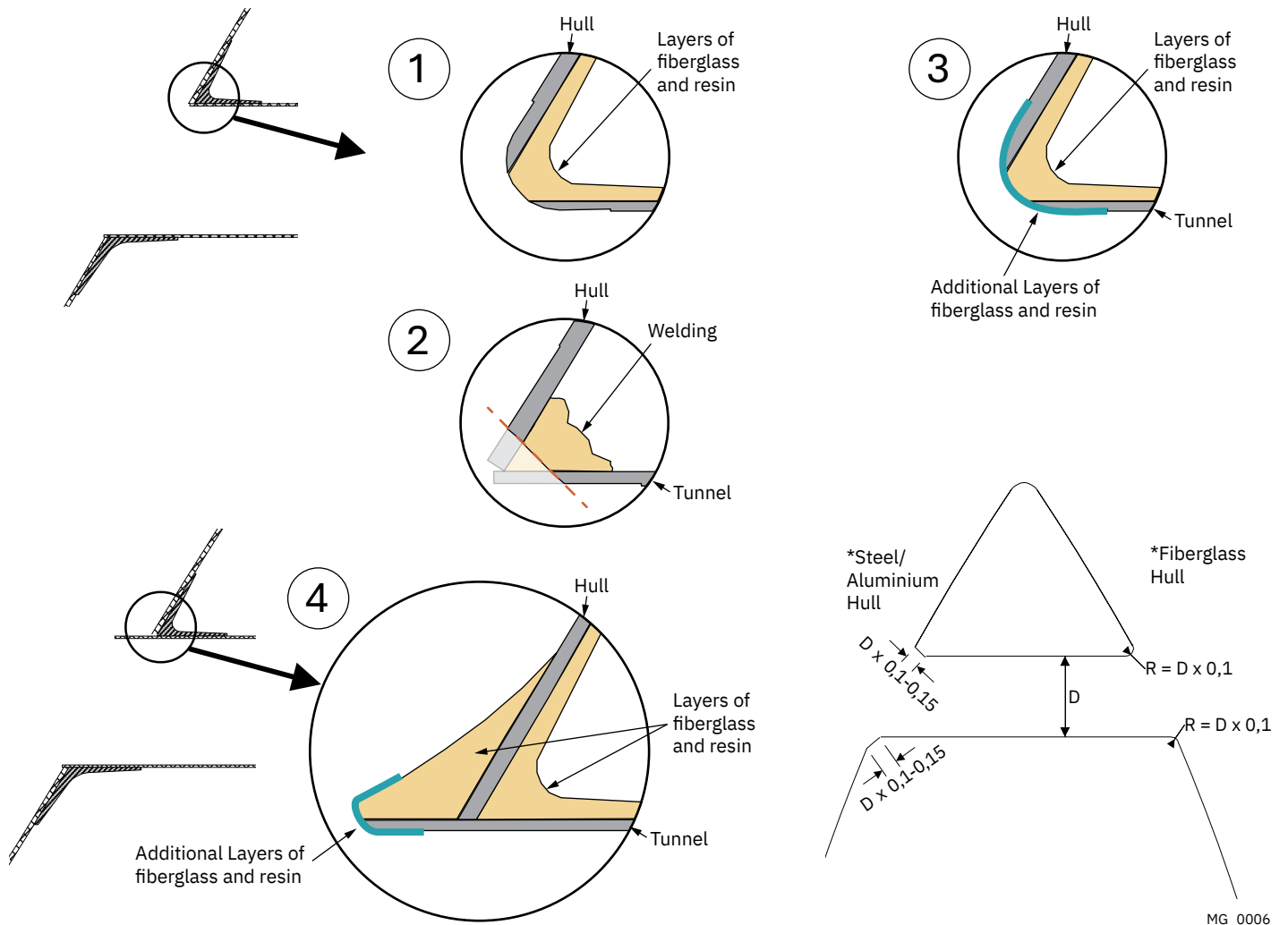
1. Round the edges with a radius of 10% of the tunnel diameter.
2. For steel/ aluminium hulls make a slope with a length of 10-15% of the tunnel diameter.
Note: If this is not possible, round the tunnel end as much as possible.
3. Additionally laminate an adequate number of layers on the outside of the tunnel and hull, covering a sufficient area. Use lamination materials which is compatible with the hull and tunnel materials.
The tunnel material is GRP, Glassfiber Reinforced Polyester.
4. Follow the same method if making the deflector/ spoiler.

You must apply waterproof coating to the areas that is grinded and moulded to make the surface waterproof. If not, these areas will allow water to penetrate the hull, which is typically not waterproof without these applications outside.

Note: All original Sleipner tunnels are fully waterproof when delivered except in the areas where you have cut and bonded it to the hull.

Avoid all modification of the tunnel where the motor-bracket is to be placed, as this will cause misfit and possible failure to the gearleg.

MC_0003



MG_0006

Important installation notice:

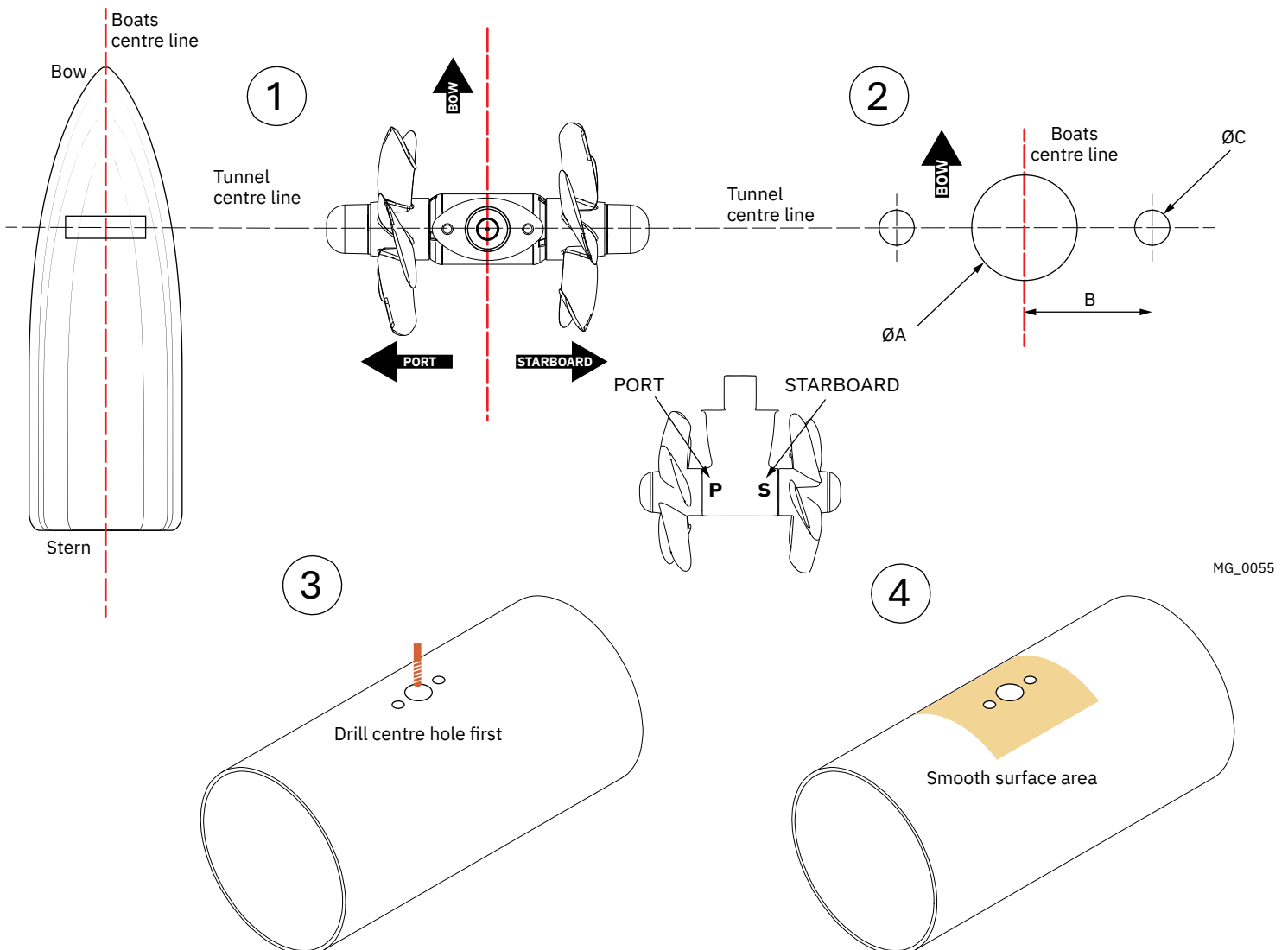
- Do not mount the thruster directly to the metal hull without galvanic isolation. Contact your dealer for purchasing the correct isolation kit, incl. installation instructions.
- Use only approved Sleipner isolation components.
- Follow the installation instructions included with the isolation kit.

1. Mark the tunnel centreline and the boat's centreline.
2. Use the gasket or template (recommended) to mark the hole centres and double-check the measurements. The centre hole MUST be placed using the boat centreline as shown above. **(NB: All holes must be in-line with the tunnels' centreline for correct installation, clearance between the propeller and the tunnel is minimal.)**
3. Drill the main centre hole followed by the bolt holes. See dimensions in the table below.
4. Smooth the area where the thruster components will be in contact with the tunnel.

MC_1097

Models	Measurements					
	ØA		B		ØC	
	mm	Inch	mm	Inch	mm	Inch
SAC700	83	3.3	70	2.8	21	0.8

MCT_0007



MG_0055

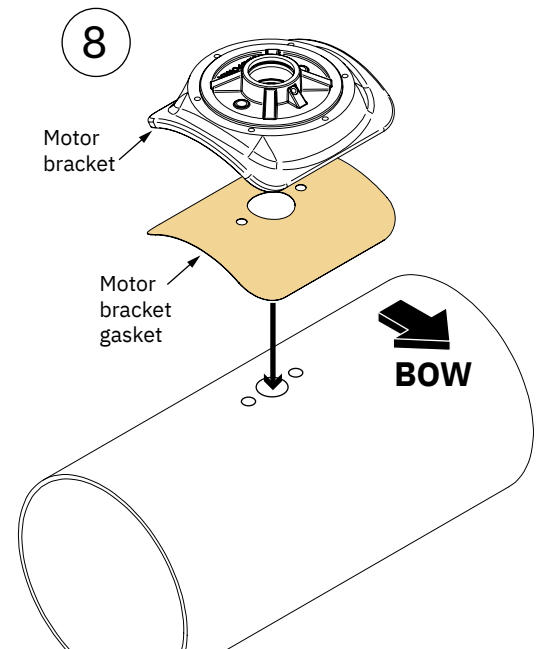
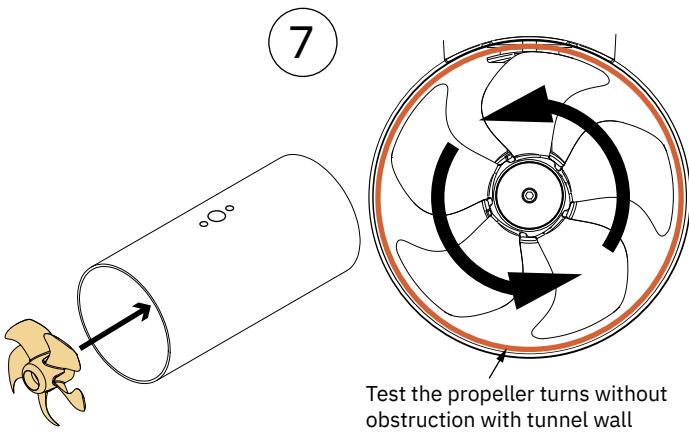
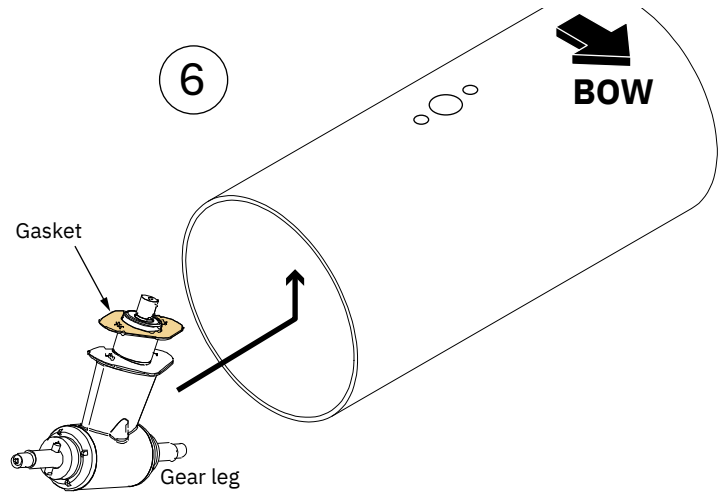
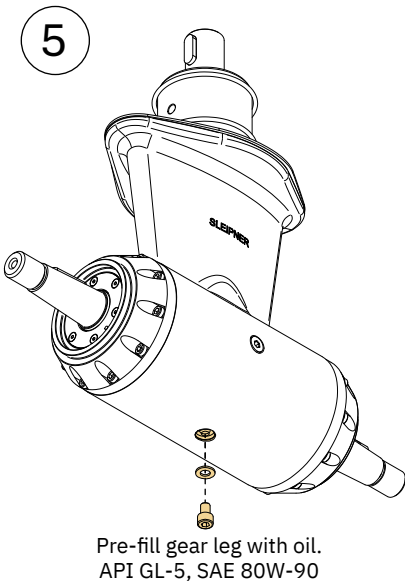
5. Fill the gear leg with oil as shown below. Re-install the plug with soft seal when ready.

CAUTION Ensure there is oil or grease on the O-rings in the motor bracket before mounting with the gear house. No lubrication could cause serious damage to the O-rings. NB: The gear leg neck and the inner surface of the motor bracket must remain clean.

6. Place the gear leg (without the propeller) with the gasket on inside the tunnel.

7. Place the propeller on the gear leg (**NB: Do not secure the propeller with securing parts**) to ensure it is centred and rotates freely with the same clearance from each blade to the tunnel wall.

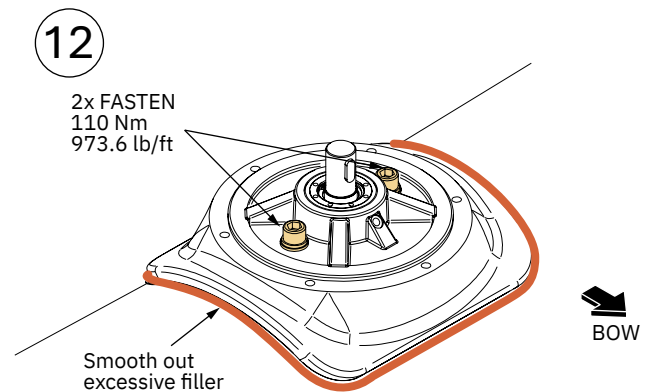
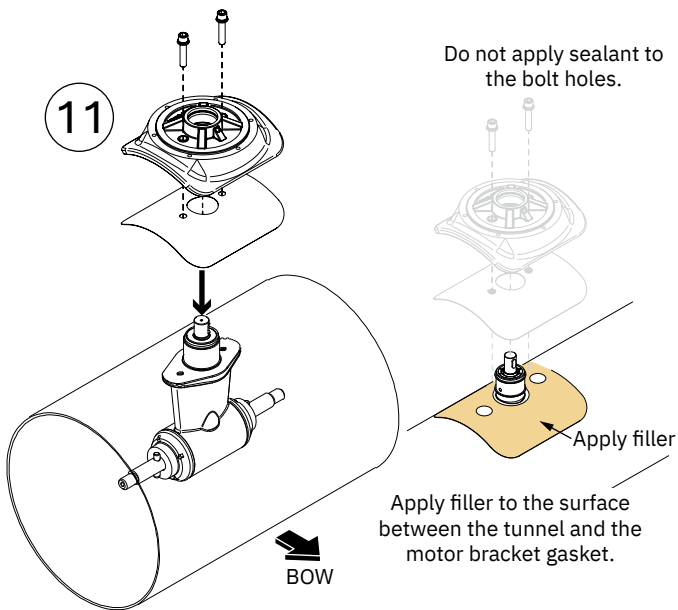
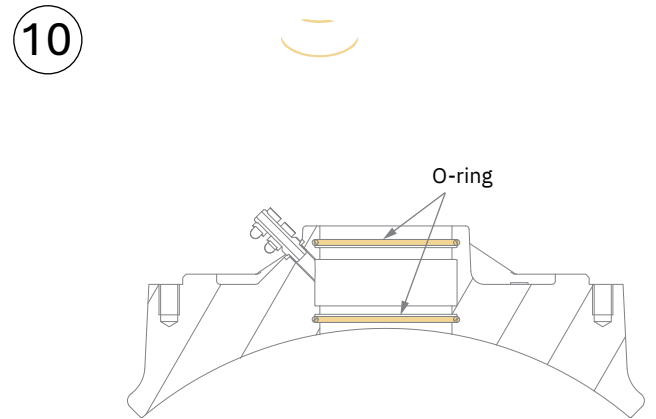
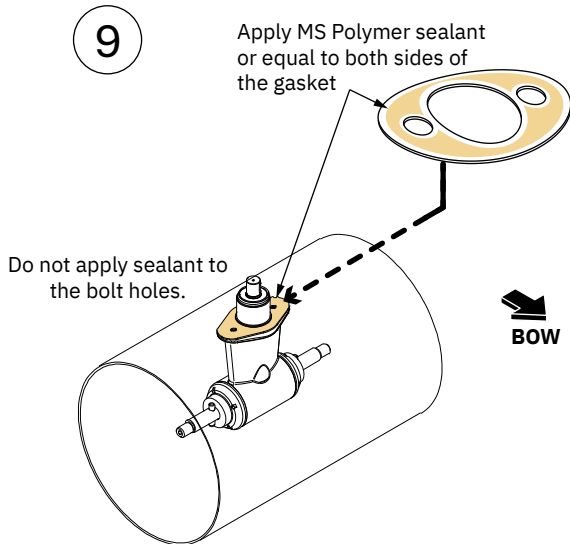
8. Place top motor bracket and bolt plate to measure the drive shaft has come through the motor bracket at the correct



Gear leg oil volume		
Models	Oil type	Oil volume
SAC700/412	API GL-5, SAE 80W-90	1L

MCT_0007

9. Apply appropriate sealant to both sides of the gasket and place on the gear leg. Place the gear leg in the tunnel (without the propeller). Use appropriate sealant to ensure that no leakages occur. **(NB: See your sealant data sheet for the correct application process.)**
10. Apply a little oil or grease on the O-rings in the motor bracket before mounting it together with the gear house, to prevent damaging the O-rings during insertion. **(NB: The gear leg neck and the inner surface of the motor bracket must remain clean.)**
11. Install the top motor bracket and gear leg gently together.
12. Fasten the gear leg and the motor bracket with the bolts provided. Tighten to torque as shown.
Apply thread paste to the threads when entering to prevent the nut and bolt from seizing and get stuced.

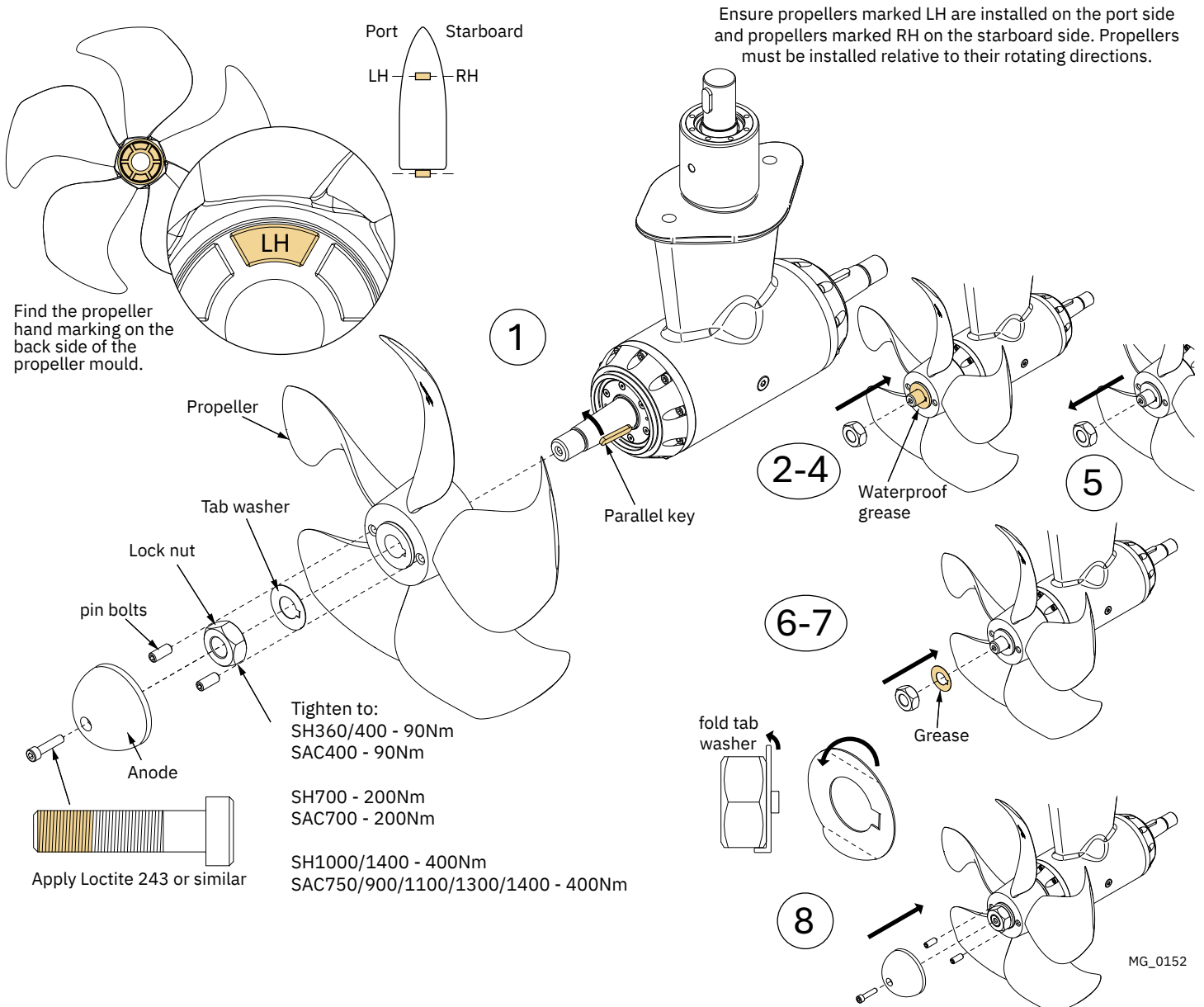


MG_0641

NOTE: Only install one of the propellers at this stage. The second propeller must be installed after the oil filling procedure.

1. Rotate the propeller shaft so the shaft key way is facing up. Remove the tape holding the parallel key in place on the propeller shaft.
2. Insert the propeller onto the propeller shaft until the propeller key aligns into the slot/ groove in the propeller. **(NB: Installation requires almost no gap (approximately 1mm) between the propeller and the gearleg.)**
3. Apply waterproof grease only to the thread where the bolt will be fastened to achieve required torque tension. **Do NOT apply grease to the internal propeller core.**
4. Without the washer, fasten the propeller lock-nut to the required torque.
5. Remove the propeller lock-nut from the shaft.
6. Grease the washer surface facing the propeller lock-nut.
7. Insert the washer on the propeller shaft and re-fasten the propeller lock-nut to required torque tension. **(NB: Ensure the washer tab is inserted into the slot/ groove in the propeller. Fold the tab washer over the nut after fastening).**
8. Attach the anode hub to the propeller shaft, and enter and tighten the bolt(s) holding the anode.

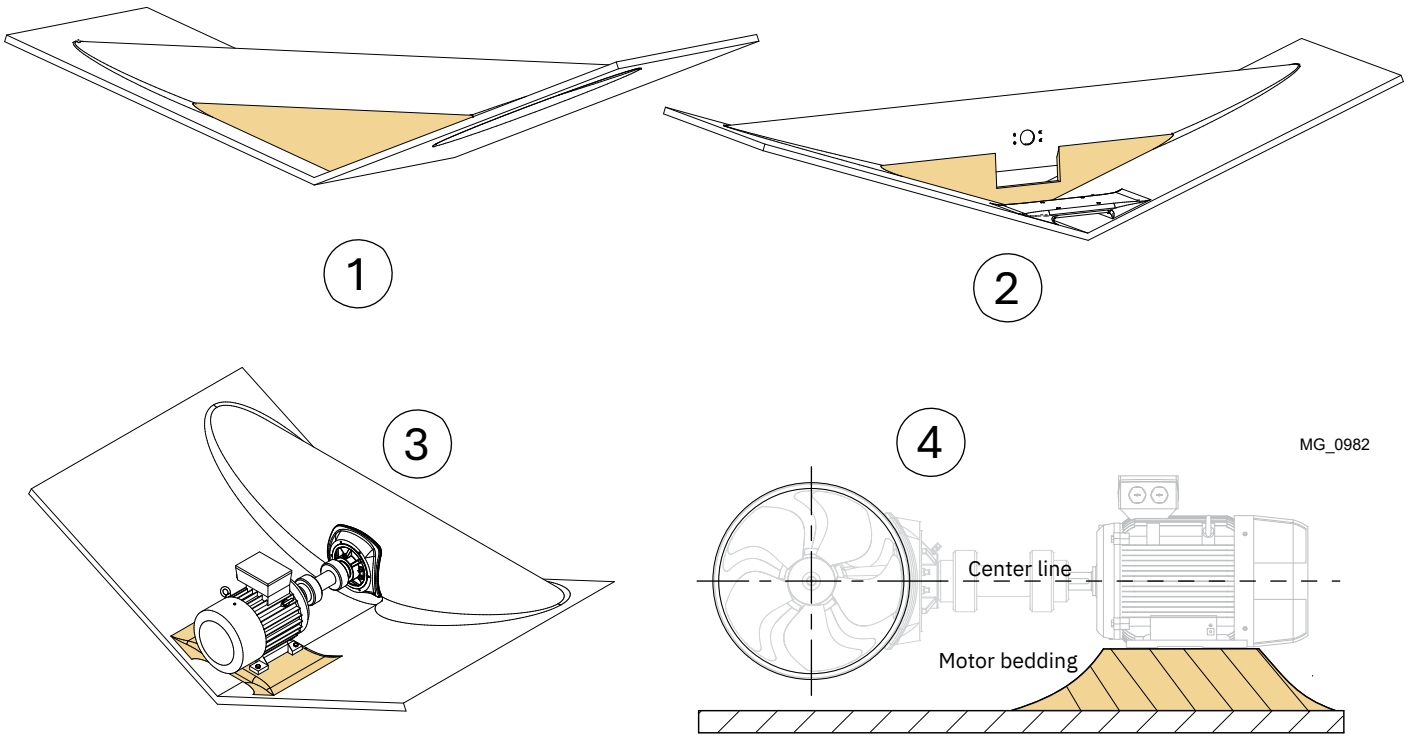
MC_1001



Consult a naval architect regarding these issues.

- Verify if added support is required between the tunnel and the hull. **(Reference 1 & 2).**
- The motor must be mounted on a separate bedding. **(Reference 3).** The bedding must be rigid and dimensioned to support the weight and torque specified in the technical data of the product.
- The bedding must be in the correct height and angle. The angle of the cardan shaft must not exceed +/- 1.5 degrees **(Reference 4).**
- Reference the distance from the centreline of the tunnel to the top of the bedding for the specific thruster/ motor combination. Ensure that the bedding is parallel to the centreline by checking the distance in both ends of the bedding.
- Mounting holes in the bedding should be drilled according to measurements for the specific thruster/ motor model.

MC_1110



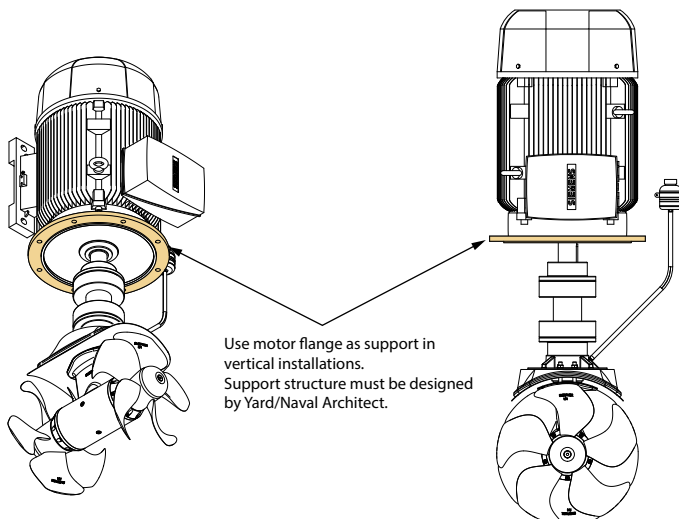
Motor support, Vertical installation

Consult a naval architect regarding these issues.

Use the motor flange as support for vertical installations. **(Reference 5).**

A bracket must be manufactured for fastening the motor. This bracket must be designed so that the specified installation dimensions for the relevant motor are maintained, and also be adapted to the actual hull structure. Consult a naval architect for this purpose.

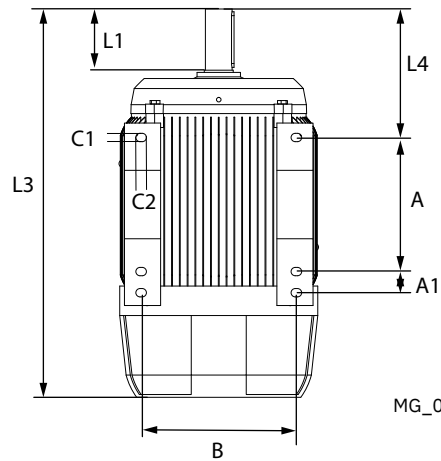
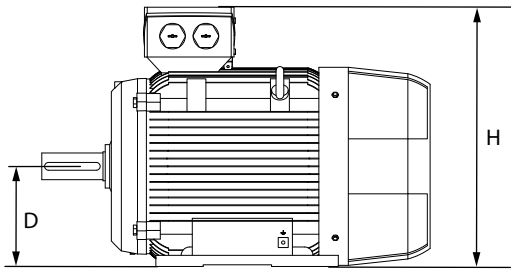
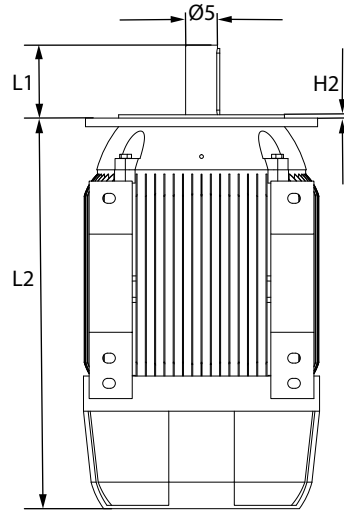
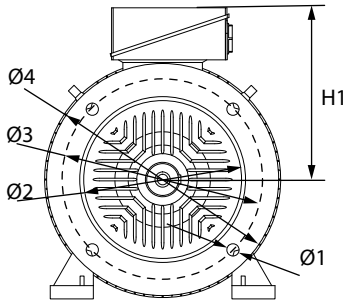
MC_1111



MG_0712_01

	Weight	Ø1	Ø2	Ø3	Ø4	Ø5	H	H1	H2	L1	L2	A	A1	B	D	L3	L4	C1	C2
	kg/lbs	mm	mm	mm	mm	mm	mm	mm	mm	mm	mm	mm	mm	mm	mm	mm	mm	mm	mm
SAC700/513	14326	18.5	250	300	350	48	469	259	5	110	589	241	38	279	180	699	231	15	19

MC_1169



MG_0981

Parts must be aligned with precision to ensure the longevity and effectiveness of the coupling, consider the combination of axial, radial and angular misalignment.

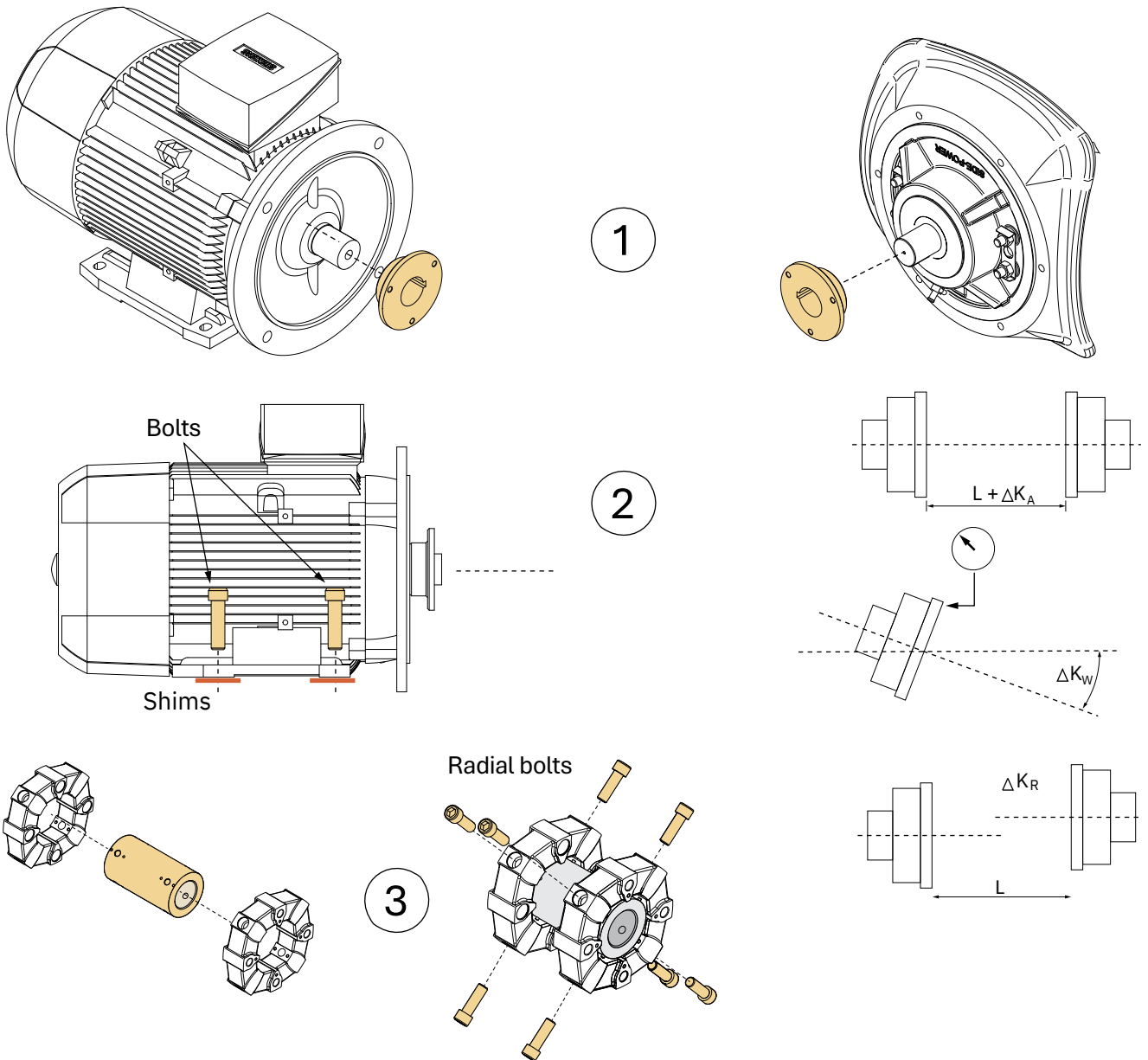
NOTE:
Only use original bolts delivered with the Sleipner thruster. Also, avoid contact between the AC motor shaft and the coupling drive shaft.

Centa has applied retention Inbus Plus all glue to all bolts. **(NB: The glue will harden within 4-5 hours at 20 ° C.)** Additional use of any loctite or anaerobic adhesives will destroy the natural vulcanisation of the rubber. Do not use oil or grease on bolts except a small amount of grease at the contact areas between bolt heads and rubber element bushings. Grease will avoid the twisting of the rubber element during bolt fastening.

1. Insert the flange hub on AC motor shaft and gearleg shaft. **(NB: Insert the Gear leg shaft flange hub against the limit stop/ shaft shoulder.) Insert the AC motor shaft flange hub according to hub depth.)**

NOTE: The fit between the shaft and the flange is tight, and the flange must be heated in order to fit onto the shaft.

2. Install and line up the AC motor according to tolerances given in the provided table. MC_1113
3. Insert the drive shaft inside the rubber elements. Insert radial bolts into radial sections of the rubber elements, and fasten 2-3 threads only into the drive shaft.



4. Install the pre-mounted rubber elements and shaft between the two flange hubs. Insert the Axial bolts and fasten 2-3 threads only into the flange hubs.
5. First fasten radial bolts, then the axial bolts according to the table above. *(NB: Ensure rubber elements are not twisted during fastening the bolts.)*

NOTE:
Fastening bolts by hand/ user judgment is not sufficient as this will result in a final bolt torque too low for operation. A low bolt torque will allow the bolts to loosen over time, destroying the shaft. A torque wrench must be used to fasten bolts to specified torque tension.

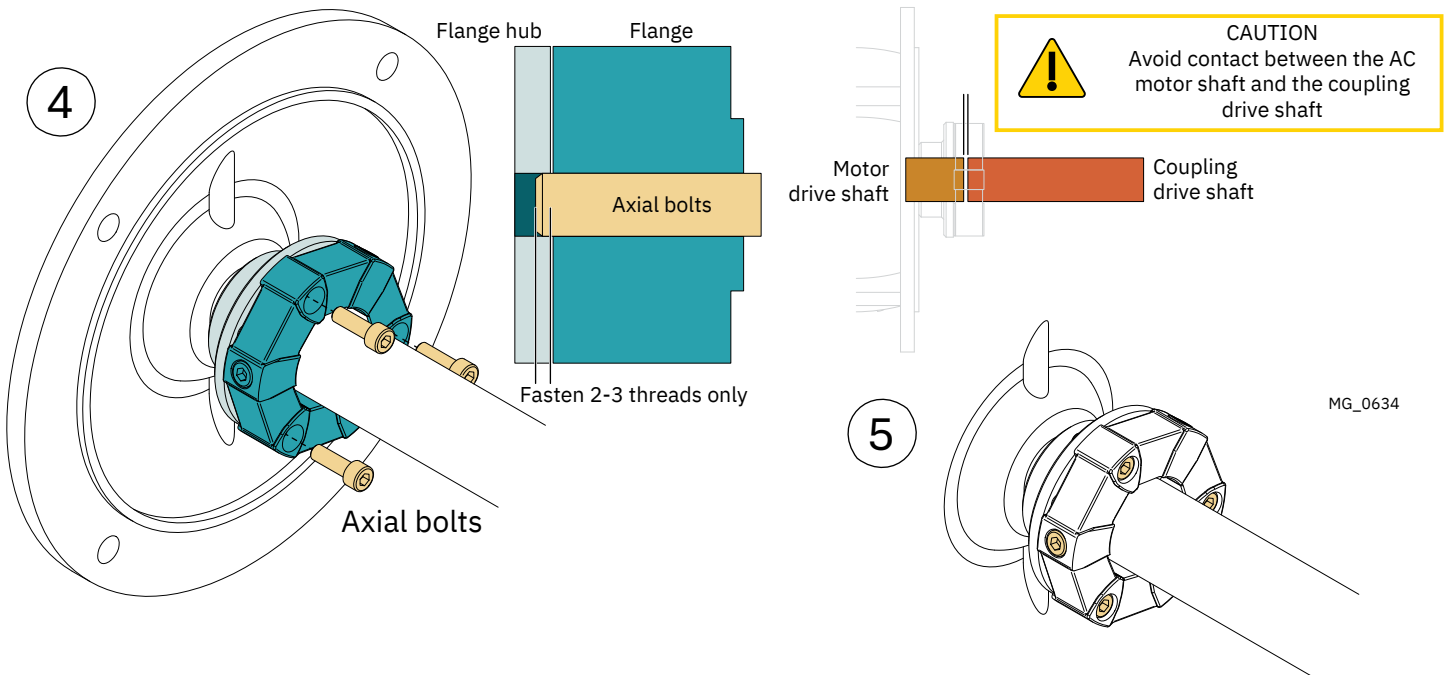
Maintenance and Safety Precaution:

The coupling is entirely maintenance free. Avoid contact with oil and similar substances since the natural rubber is not oil resistant. For a detailed Universal Joint Shaft installation manual, contact your Sleipner dealer. Add protection to the Universal Joint Shaft according to relevant safety regulations. *(NB: A protection guard is not a part of Sleipner delivery).*

MC_1114

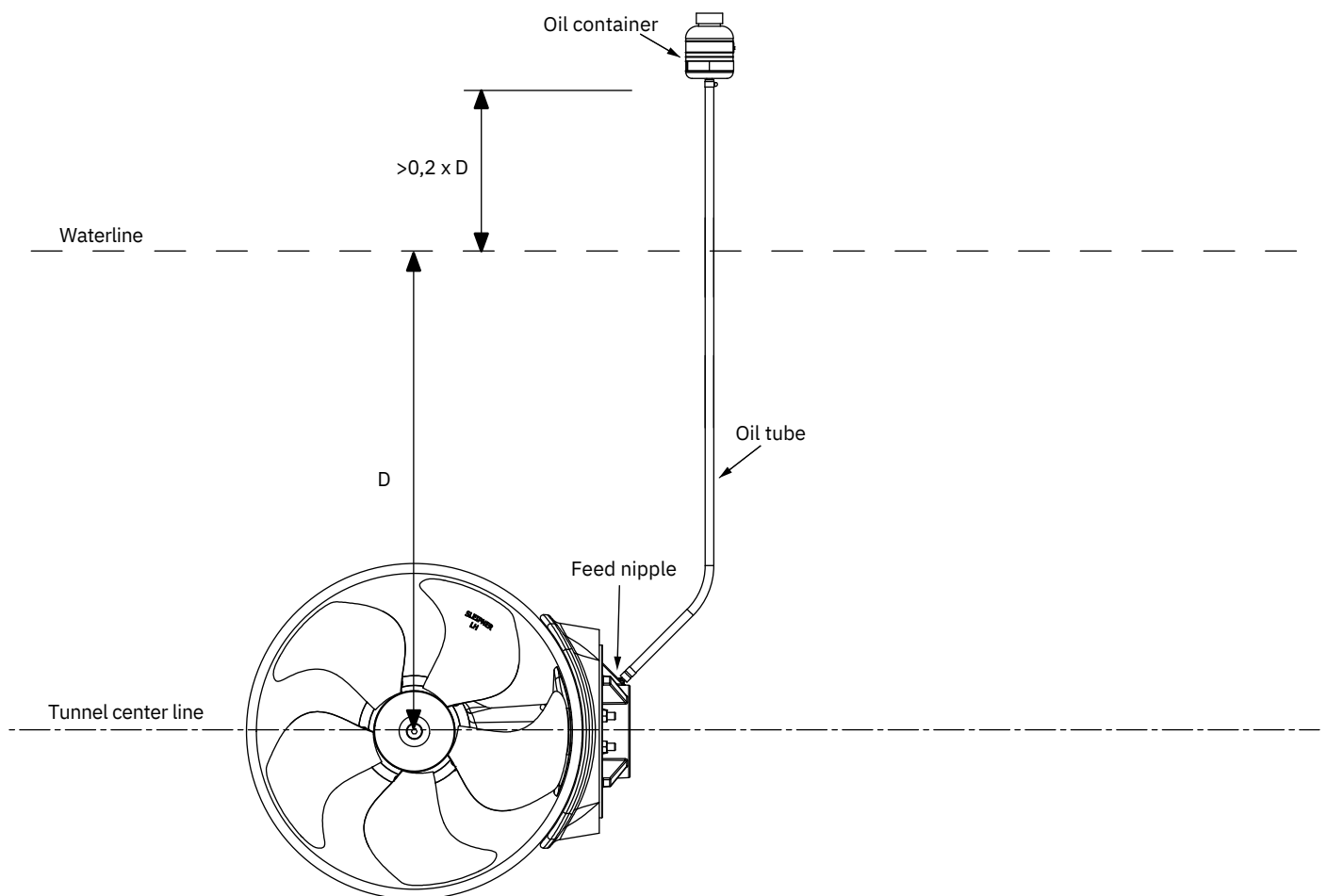
Model	Coupling size	Axial and radial bolts		L mm	Axial tolerances Complete shaft	Angular misalignment Each joint	Radial tolerance
		Dim.	Torque			ΔK_w	ΔK_R
SAC700/412	16	M12x35	85Nm	200	+/- 1mm	0.15°	0.5mm

MCT_0007

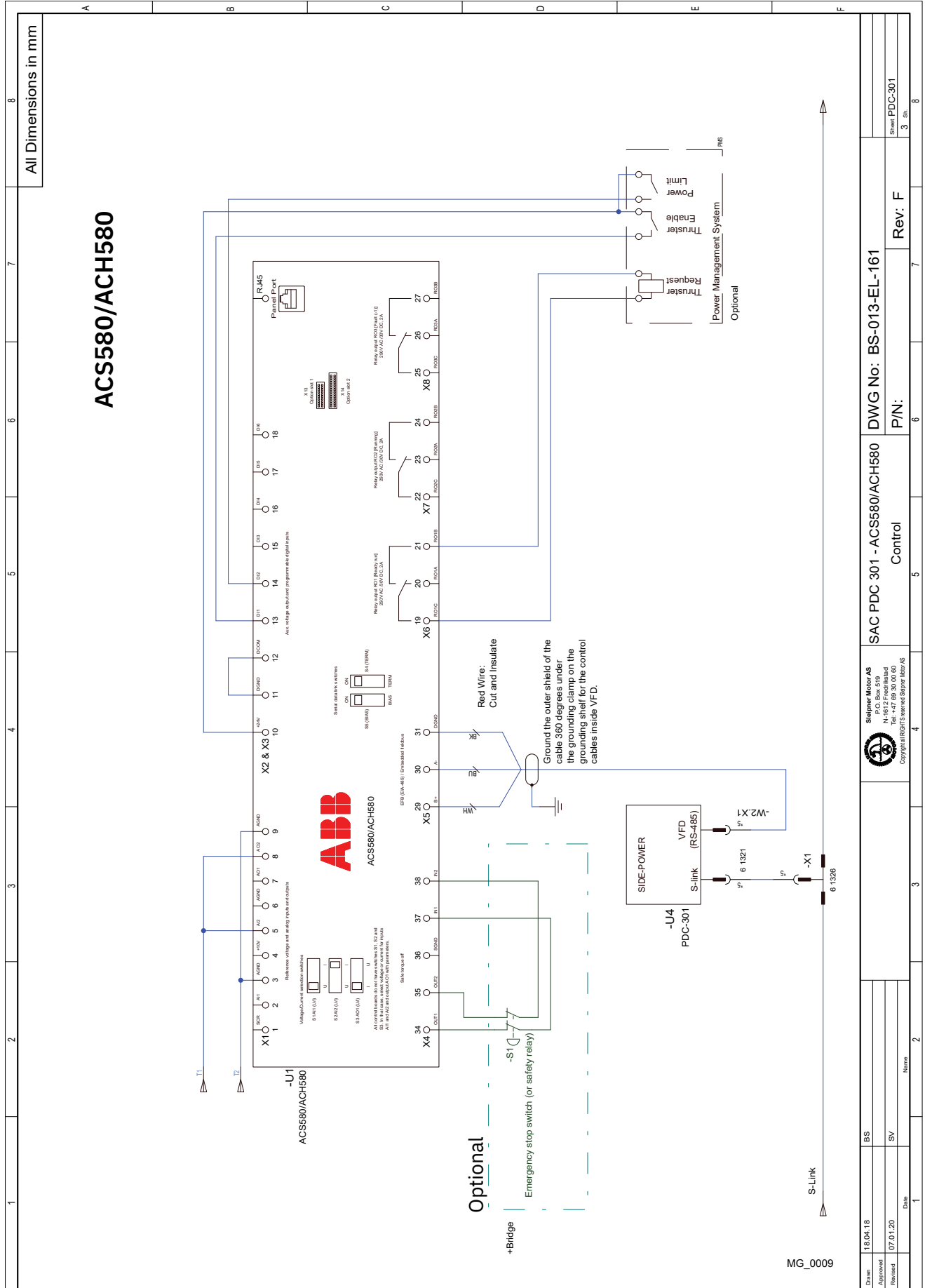


1. Install the oil container above the waterline by at least 20% of the distance from the waterline to the centre of the tunnel. This ensures enough overpressure for the oil in the gearleg.
2. Install the oil tube from the oil container to the feed nipple on the motor bracket. Fasten both the tube clamp screws. **(NB: Ensure the oil tube has no loops and forms an airlock to stop the oil flow. Ensure the oil tube angle is sufficient to allow oil to flow freely into the gearleg.)**
3. Fill the oil container with the same gear oil used in the gearleg. The oil container works as an indicator to ensure oil is in the gearleg at all times.

(NB: Fill and drain the gearleg simultaneously while replacing the oil to ensure the system is never empty.) . MC_0023



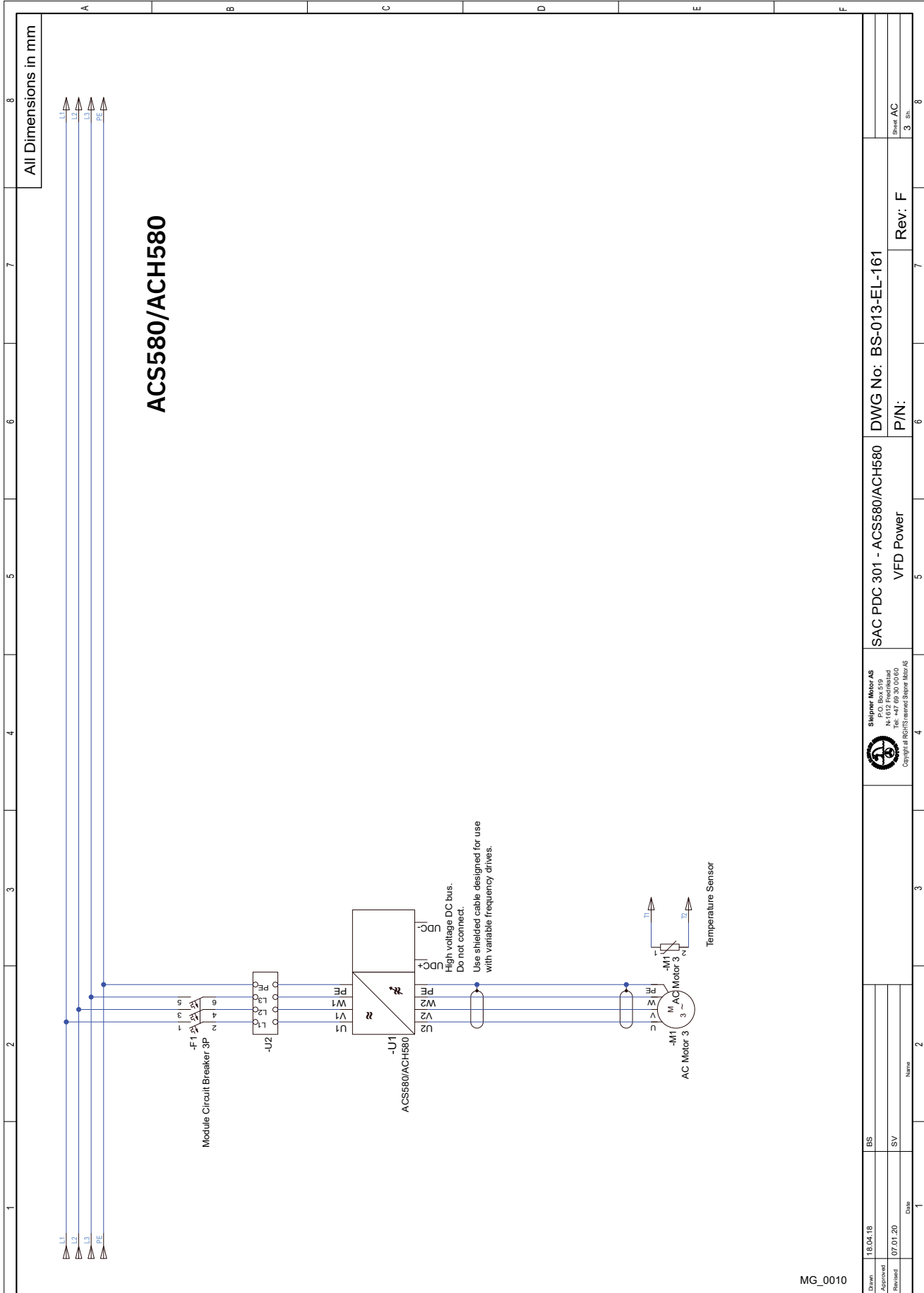
MG_0046



All Dimensions in mm

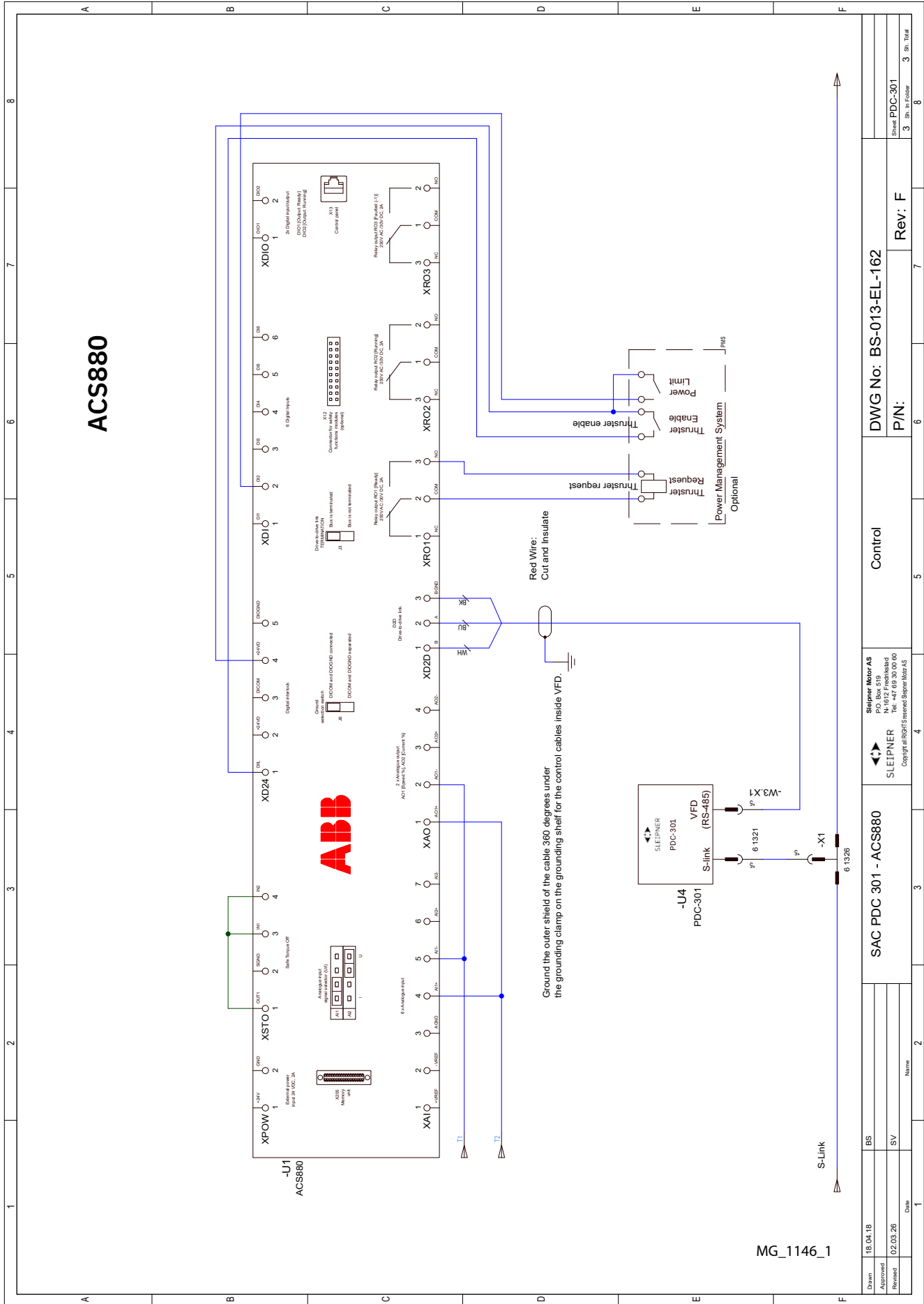
ACS580/ACH580

Drawn	18.04.18	BS	SAC PDC 301 - ACS580/ACH580	DWG No: BS-013-EL-161	Rev: F	Sheet PDC-301
Approved						3 of 8
Revised	07.01.20	SV	Control	P/N:		
Date		Name				



Drawn 18.04.18 BS	DWG No: BS-013-EL-161	SAC PDC 301 - ACS580/ACH580	VFD Power	Rev: F	Sheet AC 3 Sh.
Approved 07.01.20 SV	P/N:				
Revised					
Date					
Name					

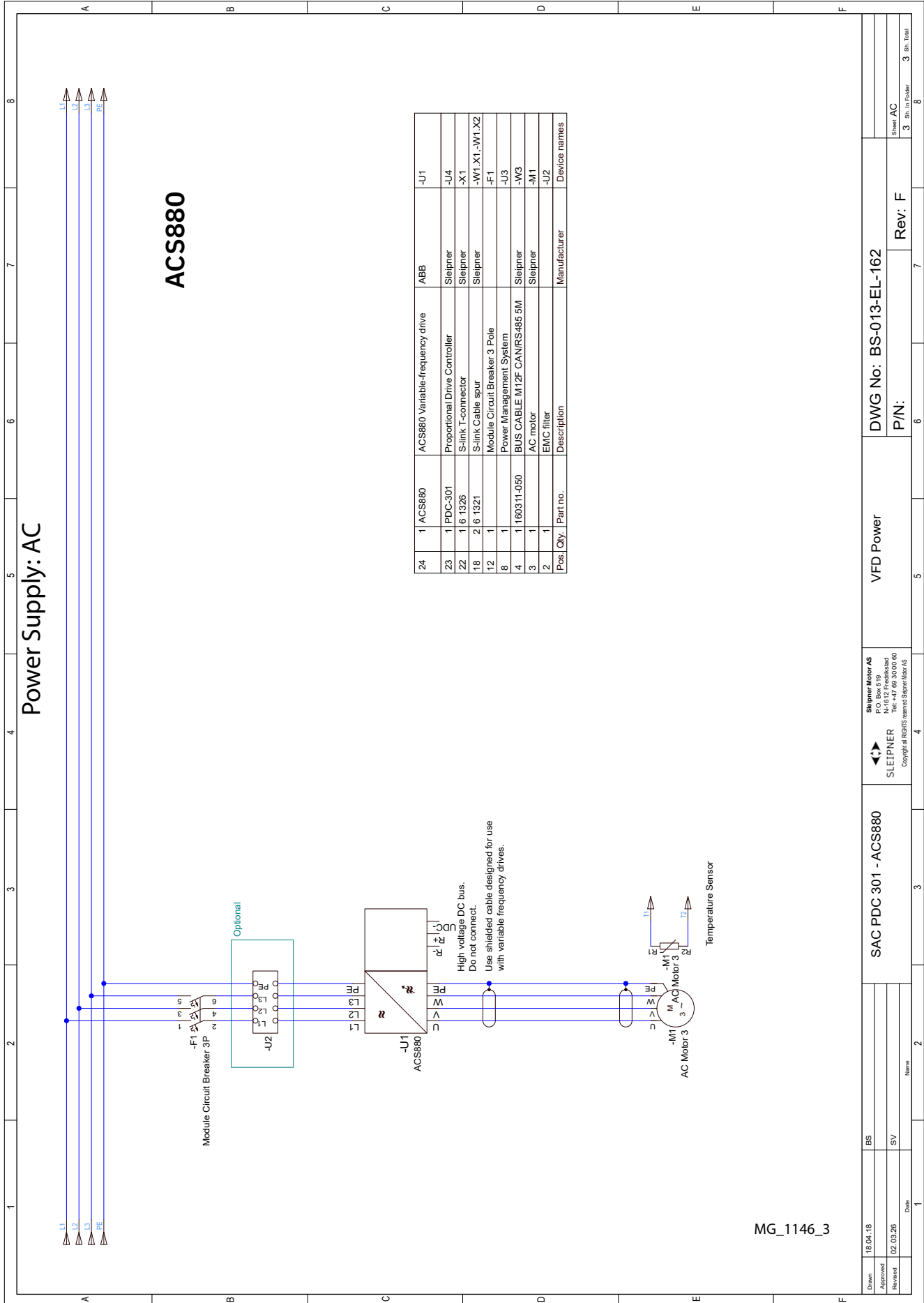
MG_0010



ACS880

Drawn	18.04.18	BS	Control	DWG No: BS-013-EL-162	3 SH, Total
Approved	02.03.26	SV		P/N:	3 SH, In Folder
Reviewed				Rev: F	3 SH, Total
Date		Name			

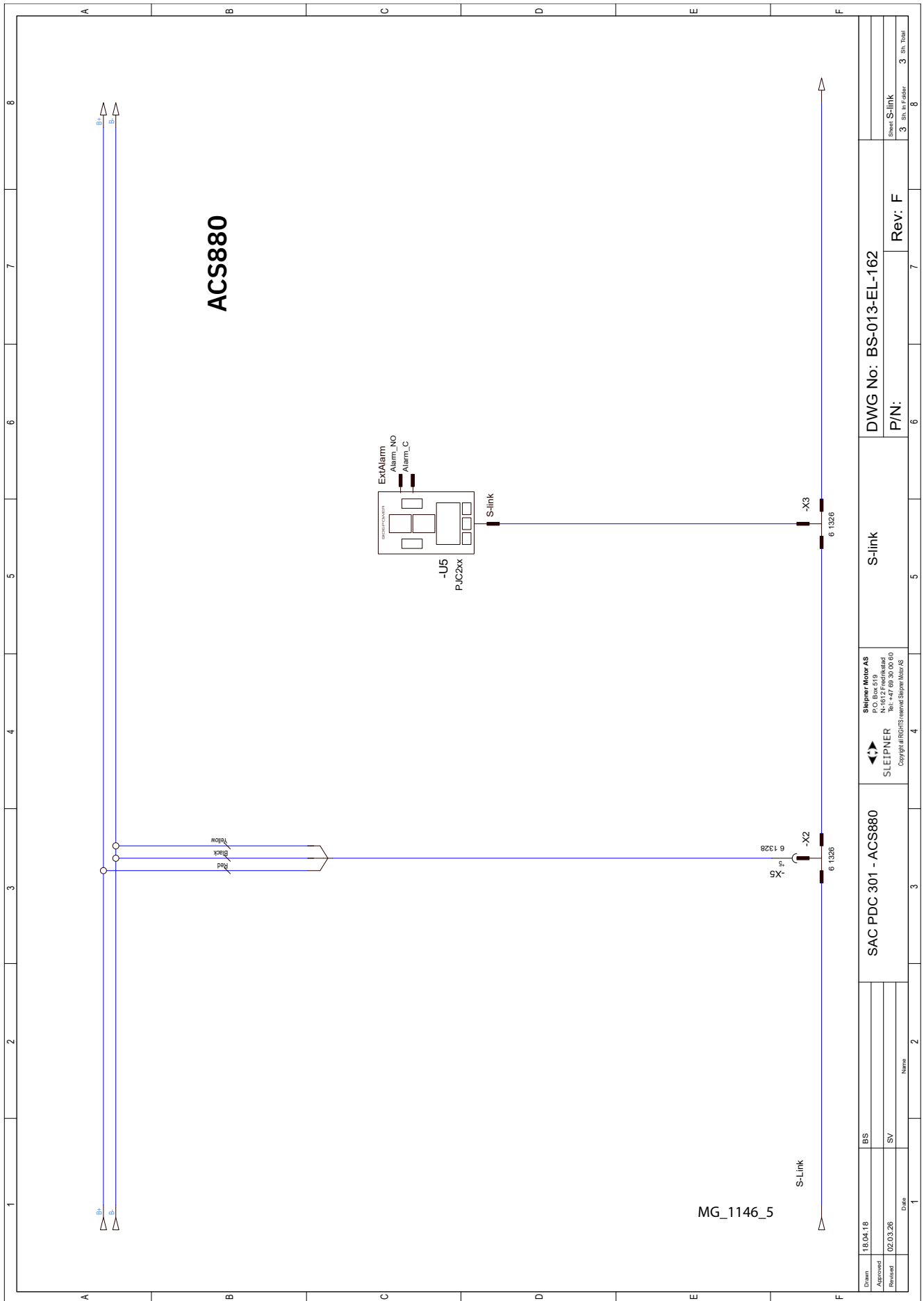
MG_1146_1



24	1	ACS880	ACS880 Variable-frequency drive	ABB	-U1
23	1	PDC-301	Proportional Drive Controller	Sleipner	-U4
22	1	6 1326	S-link T-connector	Sleipner	-X1
18	2	6 1321	S-link Cable spur	Sleipner	-W1, -X1, -X2
12	1		Module Circuit Breaker 3 Pole		-F1
8	1		Power Management System		-U3
4	1	160311-050	BUS CABLE M12F CAN/RS-485 5M	Sleipner	-W3
3	1		AC motor	Sleipner	-M1
2	1		EMG filter		-U2
Pos.	Qty.	Part no.	Description	Manufacturer	Device names

Drawn	18.04.18	BS	SAC PDC 301 - ACS880	SLEIPNER Copyright Reserved Sleipner Motor AS	Sleipner Motor AS P.O. Box 510 N-6112 Fossekjeller Tel: +47 66 30 00 80	VFD Power	DWG No: BS-013-EL-162	Rev: F	3 Sh. In Folder	3 Sh. Total
Approved	02.03.26	SV								
Revise										

MG_1146_3



CAUTION

Installation must be done by certified electricians, and according to the VFD install manual. This table is a general recommendation and installer must consider relevant regulations, temperature conditions and cable lengths.

Item no.	Supply voltage	Max current draw A	Minimum power cable dimensions	
			Temp class 70	Temp class 90
			Multi core mm ²	Multi core mm ²
SAC700/512-x-2	208-240V 3-phase	159	120	70
SAC700/512-x-4	380-440V 3-phase	92	50	25

MCT_0007

The PDC 301 proportional drive controller controls the speed and direction signals for the Variable Frequency Drive (VFD) controlling the electric motor. The user control panels transmit this information to the Controller. VFD status and alarm signals, as well as motor speed feedback is received by the PDC 301 and transmitted to the control panels. **(NB: Installation of the VFD must be done by certified electricians, and according to the VFD installation manual.)**

PDC-301 Controller Technical Specifications	
Supply Voltage	9-31V, Powered from the S-link bus
Power consumption	Less than 1W
Operating temperature	-20°C to 70°C (-4°F to 158°F)
Weight	150g/5.3oz
IP Rating	IP-66

S-Link LED status	
Continuous GREEN	Flashing GREEN
S-link communication is OK	No S-link communication
VFD (RS-485) LED status	
Continuous GREEN	Flashing GREEN
communication with VFD is OK	No communication with VFD

MC_0157



MG_0170

Before the first start ensure the propeller shaft rotates freely, and the thruster is safe to operate. **(NB: The ABB variable frequency drive-controlling the motor will perform a motor ID run on the first start.)**

If the control panel displays the “Set-up Assistant”, select “Exit & don’t show at power up”. The drive is already correctly set up before delivery.

1. Place the VFD in local mode on the front panel by pressing the Loc/Rem button. **(NB: The panel should display Local in the upper left corner.)**
2. Start the drive by pressing the Start button on the VFD panel. The panel will indicate that the ID run is in progress and when it has completed. **(NB: This procedure takes a few seconds.)**
3. Press the Stop button when the ID run is complete.
Configure the drive in Remote mode by pressing the Loc/Rem button. After being placed in Remote mode, the thruster can now operate from the Side-Power joystick panels.

(NB: The PDC-301 drive controller is configured as a bow thruster By default. If operated as a stern thruster or in a catamaran configuration, change the thruster instance from the setup menu of the PJC-2xx/PJC-4xx control panel.)

PMS (Power Management System) ~ Optional:

The thruster control system comes preconfigured for the thruster, but additional configuration is required if integration to a Power Management System.

For ACS580 to activate PMS, the VFD parameter 20.12 “Run enable 1 source” must be set to DI1. It is set by default to “Selected”.

For ACH580 to activate PMS, the VFD parameter 20.40 “Run permissive” must be set to DI1. It is set by default to “Not used”.

For ACS880 to activate PMS, the VFD parameter 20.12 “Run enable 1 source” must be set to DIIL. It is set by default to “DIIL”.

When any panel is turned on the PDC-301 will activate the relay output on the VFD for Thruster power request from PMS. Then when the PMS is ready it sends a Thruster Enable signal back to the VFD as a “ready signal” before the thruster can run. If the PDC-301 is not getting the “Thruster Enable” signal within 60 seconds, it will fault displaying fault code 36101.1.200 VFD PMS TIMEOUT. If the Thruster enable signal is lost while the thruster is running it will fault displaying fault code 36101.1.204 PMS SIGNAL LOST.

MC_0412

Functions and operation

Motor protection functions:

Dynamic thrust limitation:

If the electric motor winding temperature exceeds 130°C, the PDC 301 limits the maximum thrust output. The maximum thrust permitted will decrease proportionally to increasing temperatures higher than 130°C. **(NB: Joystick panel will give an alert when the temperature exceeds 130°C. In this situation, the thruster can still be operated. Motor temperature can be monitored from the PJC panel)**

Motor over temperature shut-down:

If the electric motor winding temperature exceeds 150°C the motor will stop and ‘Motor Over-temp’ is displayed on the connected control panels. The thruster is prohibited from running until the motor has cooled down.

Limited Power ~ Optional:

By default, the digital input DI2 on the VFD is set to limit the power by limiting the VFD torque when the input is +24V.

When in “Limited Power” mode a flashing “LIMITED POWER” text alert will display on the PJC panel.

To change the torque level, change these VFD parameters:

30.23	Minimum torque 2	-50.0 % (default value)
30.24	Maximum torque 2	50.0 % (default value)

Emergency Stop:

Where an Emergency Stop circuit is required, Slepner recommend implementing the circuit based on the ABB STO(Safe Torque Off) function.

This safety circuit require two parallel circuits switching simultaneously. The circuit diagram can be found in figure xx.

For further information on the STO circuit, refer to ABB HW manual for the drive model installed, where the Safe Torque Off function is described in detail.

MC_0158

S-Link is a CAN-based control system used for communication between Sleipner products installed on a vessel. The system uses BACKBONE Cables as a common power and communication bus with separate SPUR Cables to each connected unit. Only one S-Link POWER cable shall be connected to the BACKBONE Cable. Units with low power consumption are powered directly from the S-Link bus.

Main advantages of S-Link system:

- Compact and waterproof plugs.
- BACKBONE and SPUR Cables have different colour coding and keying to ensure correct and easy installation. BACKBONE Cables have blue connectors and SPUR Cables have green connectors.
- Different cable lengths and BACKBONE Extenders make the system scalable and flexible to install.

Installation of S-Link cables:

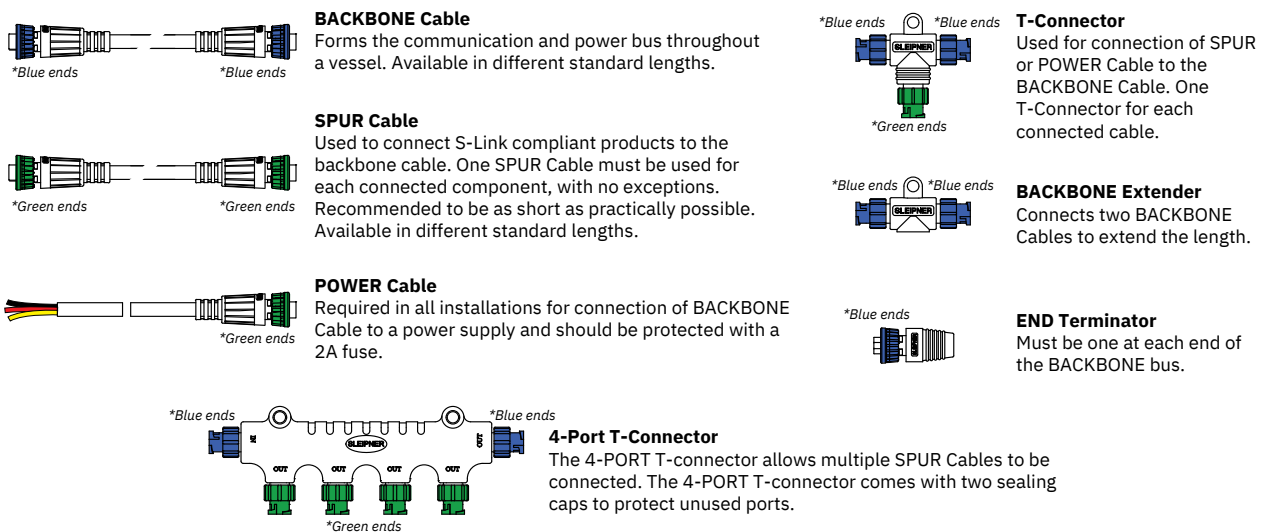
Select appropriate cables to keep the length of BACKBONE- and SPUR Cables to a minimum. In case of planned installation with total BACKBONE Cable length exceeding 100 meters please consult your local distributor. The S-Link cables should be properly fastened when installed to avoid sharp bend radius, cable chafing and undesired strain on connectors. Locking mechanism on connectors must be fully closed. To ensure long lifetime, cables, T-Connectors and Extenders should not be located so that they are permanently immersed in water or other fluids. It is recommended to install cables in such a way that water and condensation do not flow along the cables into the connectors. This can be done for example by introducing a u-shape bend before the cable enters the product connector.

Ideally, the POWER Cable should be connected to the middle of the BACKBONE bus to ensure an equal voltage drop at both ends of the BACKBONE Cable. The yellow and black wire in the POWER Cable shall be connected to GND and the red wire connected to +12VDC or +24VDC.

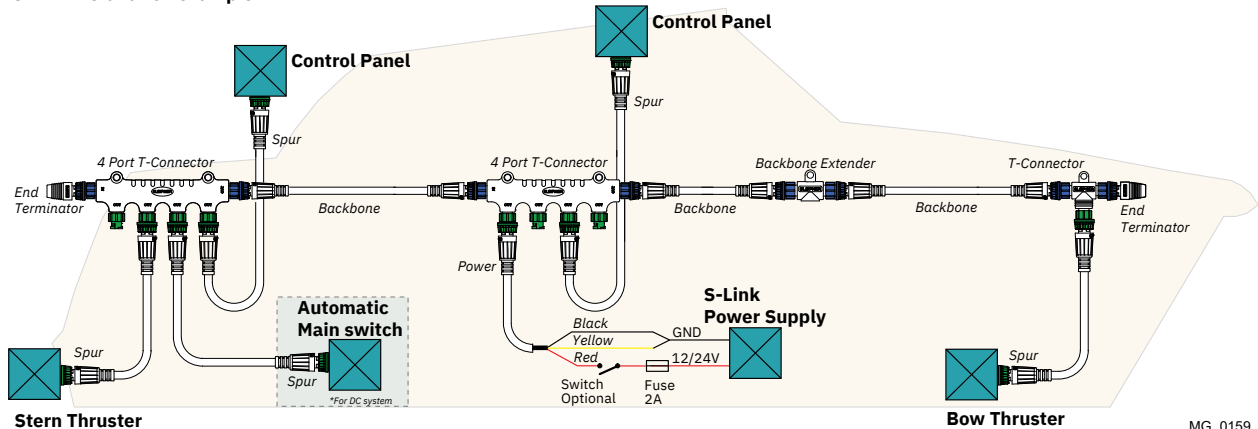
To reduce the risk of interference, avoid routing the S-Link cables close to equipment such as radio transmitters, antennas or high voltage cables. The backbone must be terminated at each end with the END Terminator.

SPUR cables can be left unterminated to prepare for the installation of future additional equipment. In such cases, ensure to protect open connectors from water and moisture to avoid corrosion in the connectors.

MC_0120N



S-Link installation example



MG_0159

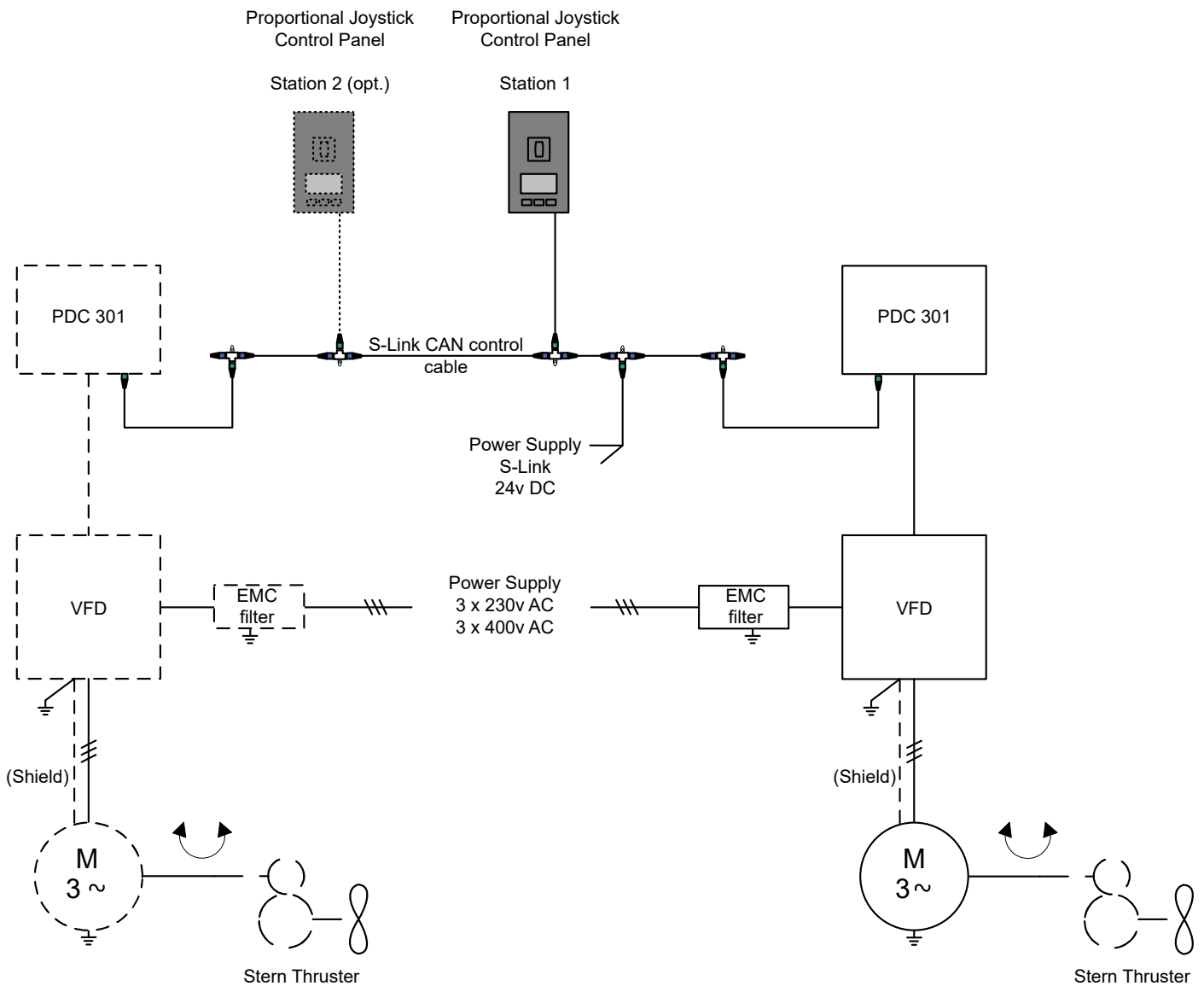
- All Sleipner control panels can be used in any combination.
- All control panels can be installed using:
 - Y-connectors - for standard on/off
 - T-connectors - for S-Link proportional power system.

(NB: If two or more control panels are operated at the same time in opposite directions, the electronic control box will stop the thruster until it receives a single signal or thrust in one direction.)

- Sleipner on/off equipment it is entirely “plug & play” and require no additional configuration setup.

See the Control panel manual for more information.

MC_0041



MG_0169

For **Control Panel** installation please refer to the Installation Guide accompanying the control panel to be installed.

MC_0398



- Propeller is fastened correctly to the shaft.
- Propeller turns freely in tunnel.
- Lower-unit is filled with gear oil.
- Oil-drain screw is tightened and the copper seal is present.
- The anode holding screw is tightened well with thread glue.
- Anti-fouling have been applied to the gear house and propeller but NOT on the anode or the gear house lid where the propeller is fastened.
- Oil tank is fitted above the waterline as required and filled with gear oil.
- Correct drive direction as per control panel.
- The bolts holding the gear house and motor bracket together are tightened correctly.
- The bolts holding the motor to its bracket are tightened correctly.

MC_0160

The thruster has been installed as per the instructions in this manual and all points in checklist above have been controlled.

Signed:

Date:

Extra pre-delivery tests by installer / yard who does not use other quality control systems !

Thruster type:

Serial number:.....

Date of delivery:.....

Correct drive direction as per control panel:

The compartment for the thruster has been isolated from general bilge water and has no obvious or suspected risks for flooding:

.....
.....
.....

Other comments by installer:

.....

Find your local certified dealer through our global network to receive expert service and support. Visit our website for more information: www.sleipnergroupp.com/support



Product Spare Parts and Additional Resources

For additional supporting documentation, visit our website at www.sleipnergroupp.com and locate your specific Sleipner product.



Patents

At Sleipner we continually reinvest to develop and offer the latest technology in marine advancements. To see the many unique designs we have patented, visit our website: www.sleipnergroupp.com/patents



1. Sleipner Motor AS (The “Warrantor”) warrants that the equipment (parts, materials, and embedded software of products) manufactured by the Warrantor is free from defects in workmanship and materials for purpose for which the equipment is intended and under normal use and maintenance service (the “Warranty”).
2. This Warranty is in effect for two years (Leisure Use) or one year (Commercial and other Non-leisure Use) from the date of delivery/purchase by the end user, with the following exceptions:
 - (a) For demonstration vessels, or vessels kept on the water, the dealer is considered as the end user from 6 months after their launch of the vessel;
 - (b) The warranty period starts no later than 18 months after the first launch of the vessel.Please note that the boat manufacturer and dealer must pay particular attention to correct maintenance and service both by the products manuals as well as general good practice for the location the boat is kept in the period the boat is in their care. In cases where the 6 and 18 months grace periods for boat builders and dealers are passed, it is possible to obtain a full warranty upon inspection and approval of the warrantor or such representative.
3. Certain parts, classified as wearable or service parts, are not covered by the warranty. A failure to follow the required maintenance and service work as described in the product manual render all warranty on parts or components directly or indirectly affected by this void. Please also note that for some parts, time is also a factor separately from actual operational hours.
4. This Warranty is transferable and covers the equipment for the specified warranty period.
5. The warranty does not apply to defects or damages caused by faulty installation or hook-up, abuse or misuse of the equipment including exposure to excessive heat, salt or fresh water spray, or water immersion except for equipment specifically designed as waterproof.
6. In case the equipment seems to be defective, the warranty holder (the “Claimant”) must do the following to make a claim:
 - (a) Contact the dealer or service centre where the equipment was purchased and make the claim. Alternatively, the Claimant can make the claim to a dealer or service centre found at www.sleipnergroun.com. The Claimant must present a detailed written statement of the nature and circumstances of the defect, to the best of the Claimant’s knowledge, including product identification and serial nbr., the date and place of purchase and the name and address of the installer. Proof of purchase date should be included with the claim, to verify that the warranty period has not expired;
 - (b) Make the equipment available for troubleshooting and repair, with direct and workable access, including dismantling of furnishings or similar, if any, either at the premises of the Warrantor or an authorised service representative approved by the Warrantor. Equipment can only be returned to the Warrantor or an authorised service representative for repair following a pre-approval by the Warrantor’s Help Desk and if so, with the Return Authorisation Number visible postage/shipping prepaid and at the expense of the Claimant.
7. Examination and handling of the warranty claim:
 - (a) If upon the Warrantor’s or authorised service Representative’s examination, the defect is determined to result from defective material or workmanship in the warranty period, the equipment will be repaired or replaced at the Warrantor’s option without charge, and returned to the Purchaser at the Warrantor’s expense. If, on the other hand, the claim is determined to result from circumstances such as described in section 4 above or a result of wear and tear exceeding that for which the equipment is intended (e.g. commercial use of equipment intended for leisure use), the costs for the troubleshooting and repair shall be borne by the Claimant;
 - (b) No refund of the purchase price will be granted to the Claimant, unless the Warrantor is unable to remedy the defect after having a reasonable number of opportunities to do so. In the event that attempts to remedy the defect have failed, the Claimant may claim a refund of the purchase price, provided that the Claimant submits a statement in writing from a professional boating equipment supplier that the installation instructions of the Installation and Operation Manual have been complied with and that the defect remains.
8. Warranty service shall be performed only by the Warrantor, or an authorised service representative, and any attempt to remedy the defect by anyone else shall render this warranty void.
9. No other warranty is given beyond those described above, implied or otherwise, including any implied warranty of merchantability, fitness for a particular purpose other than the purpose for which the equipment is intended, and any other obligations on the part of the Warrantor or its employees and representatives.
10. There shall be no responsibility or liability whatsoever on the part of the Warrantor or its employees and representatives based on this Warranty for injury to any person or persons, or damage to property, loss of income or profit, or any other incidental, consequential or resulting damage or cost claimed to have been incurred through the use or sale of the equipment, including any possible failure or malfunction of the equipment or damages arising from collision with other vessels or objects.
11. This warranty gives you specific legal rights, and you may also have other rights which vary from country to country.

Introduction:

At Sleipner Group, we prioritize sustainability and encourage the repair and re-manufacturing of products to extend their life cycles. If disposal is necessary, please follow these guidelines to recycle and manage waste responsibly, ensuring our efforts align with environmental protection efforts.

Electric Motors and Electronics:

- Disconnect from any power sources and dismantle them carefully.
- Recycle components through certified e-waste recycling centers that can adequately handle and recover electronic materials.
- Dispose of any non-recyclable electronic parts according to local environmental regulations.

Metals:

- Collect and sort metal parts for recycling as scrap metal.
- To increase recycling efficiency, ensure that metals are clean and free from non-metal attachments.

Plastics:

- Identify recyclable plastics based on local recycling guidelines.
- Remove any non-plastic components and clean them before recycling to improve the quality of the recycled material.

Hazardous Materials:

- Correctly identify any hazardous substances within components, such as batteries or capacitors etc.
- Follow local regulations for the safe disposal of hazardous materials to prevent pollution and protect environmental health.

General Disposal Instructions:

- Consult local recycling programs to determine the acceptability of various materials.
- Use authorized disposal services to ensure compliance with environmental standards.

Safe Disposal Practices:

- Adhere to local laws and regulations for waste management to minimize environmental impact and ensure community safety.

This guide is designed to help reduce our products' environmental footprint through responsible end-of-life management. Please contact your local waste management supplier or our support team for more specific disposal information or further assistance.

MC_0848



SLEIPNER

Ocean born. Tech bred.

SLEIPNER MOTOR AS

P.O. Box 519

N-1612 Fredrikstad

Norway

www.sleipnergroup.com

Made in Norway

© Sleipner Motor AS, All rights reserved

The information given in the document was right at the time it was published. However, Sleipner Motor AS cannot accept liability for any inaccuracies or omissions it may contain. Continuous product improvement may change the product specifications without notice. Therefore, Sleipner Motor AS cannot accept liability for any possible differences between product and document. Learn more about our products at www.sleipnergroup.com