



Service and Support

Anode Replacement EX Series (EXturn)

DOCUMENT ID: 2897

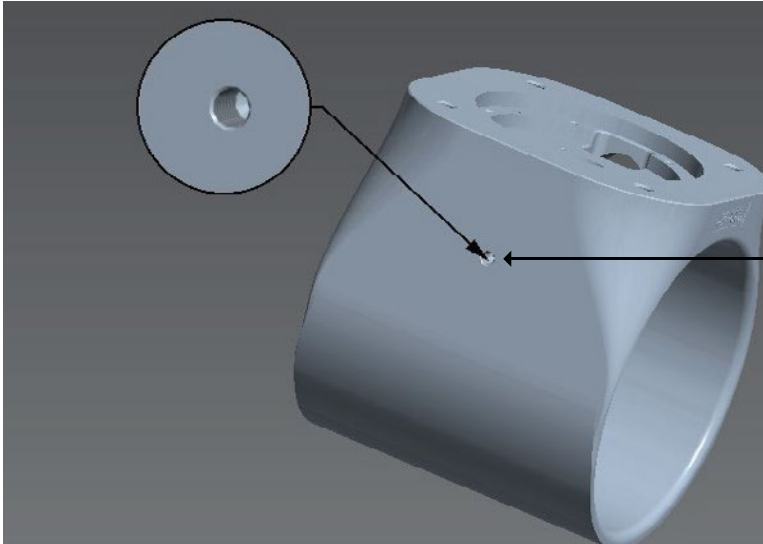
REVISION: 2

DATE: 2024

LANGUAGE: EN

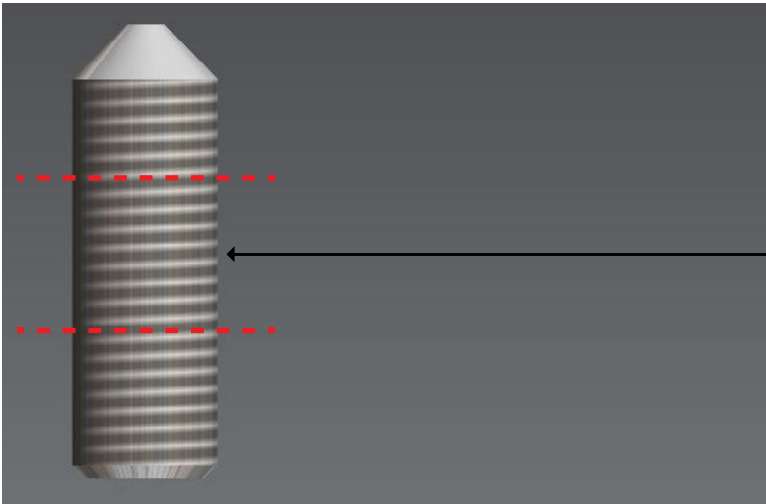
SS

Anode Replacement



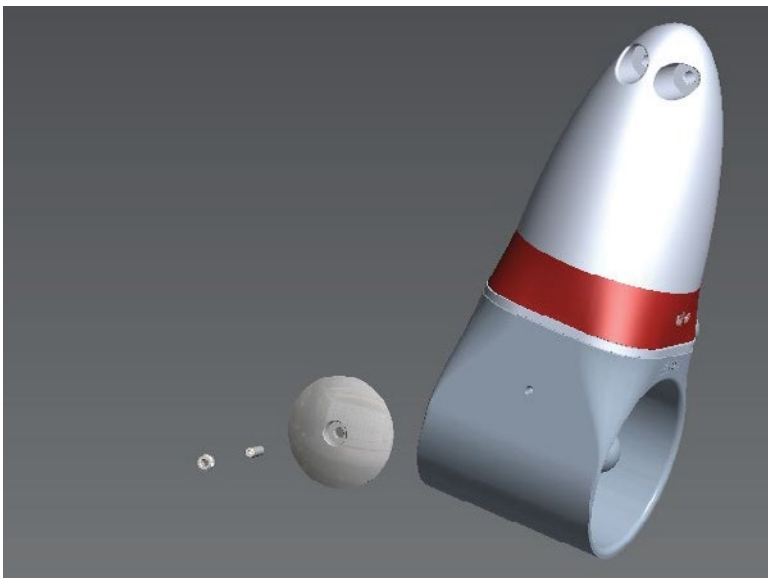
Remove galvanic corrosion from the threaded hole with a drill bit or sharp object to establish proper electrical connection.

(NB: Do not drill through the bottom of the threaded hole.)



Secure the bolt by using thread glue (Loctite #2701 or similar) on the middle section of the bolt.

(NB: Avoid Locktite on the ends of the bolt to ensure good electrical connection.)



If you have an older Exturn model without anode protection, please follow the instructions on the next page to retrofit an anode!

Retrofitting Anode Protection To An EX Thruster

Parts required:

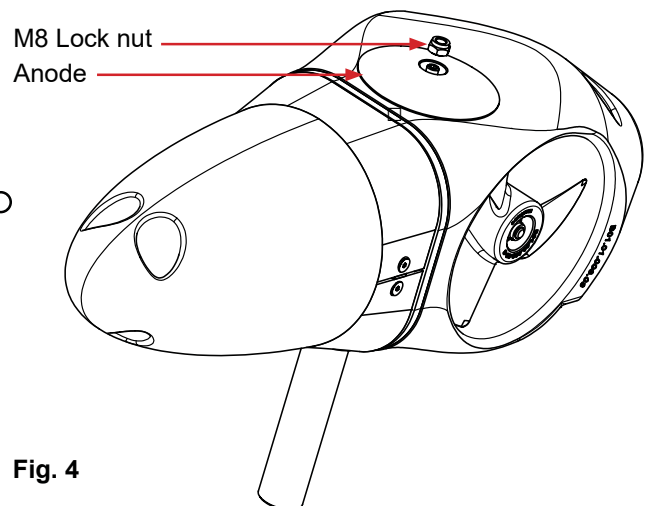
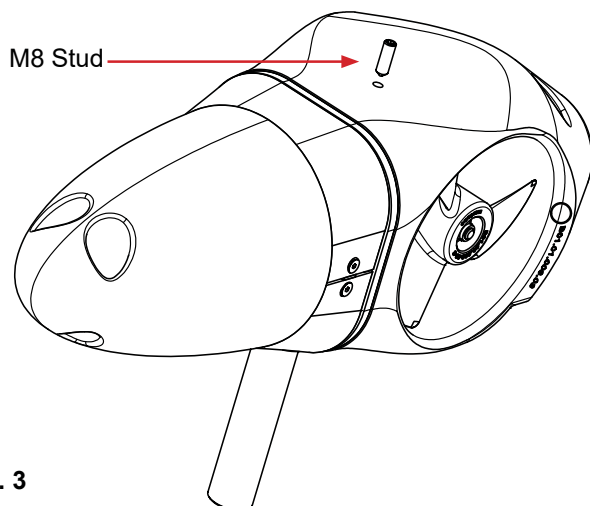
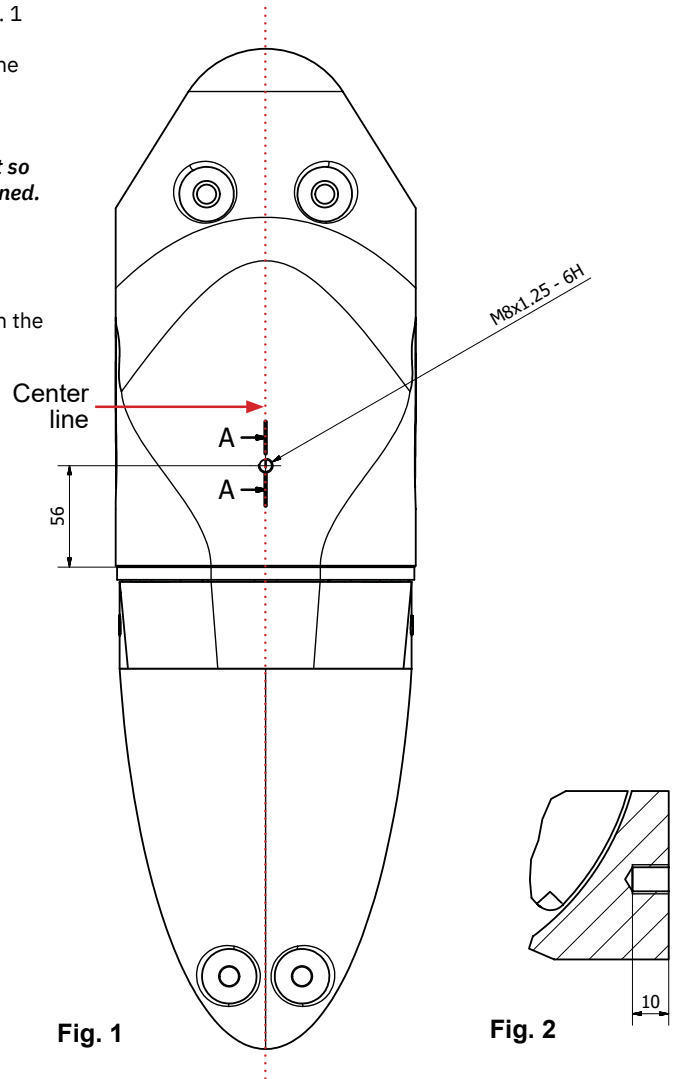
M8 stud
M8 Lock nut
Anode

Tools required:

Ø M6.8 Drill bit
M8x1.25 Tap
13mm socket
Torque wrench
Locktite (Loctite 2701 or similar)

1. Find center line of the EX thruster and mark the location shown in Fig. 1
2. Drill a $\phi 6.8$ hole 10mm deep at the marked location (Fig. 2). Thread the hole all the way down with the M8x1.25 tap.
3. Insert stud (Fig. 3). Use Locktite to fasten the bolt securely.
(NB: Make sure that there is no Locktite on the bottom part of the bolt so good electrical connection between bolt and thruster body is maintained. Use Locktite 5mm from the bottom of the bolt and upwards.)

Tighten stud to 24Nm.
4. Place the anode over the bolt (Fig. 4) and attach with lock nut. Tighten the nut to 20Nm.



© **Sleipner Group**, All rights reserved
The information given in the document
was right at the time it was published.
However, Sleipner Group cannot
accept liability for any inaccuracies or
omissions it may contain. Continuous
product improvement may change the
product specifications without notice.
Therefore, Sleipner Group cannot accept
liability for any possible differences
between product and document.

Learn more about our products at
www.sleipnergroun.com



SLEIPNER MOTOR AS

P.O. Box 519

N-1612 Fredrikstad

Norway

www.sleipnergroun.com

Made in Norway